

MADE IN THE U.S.A. CERTIFIED TO ANSI

USE FOR ARCHITECT / ENGINEER / CONTRACTOR APPROVAL

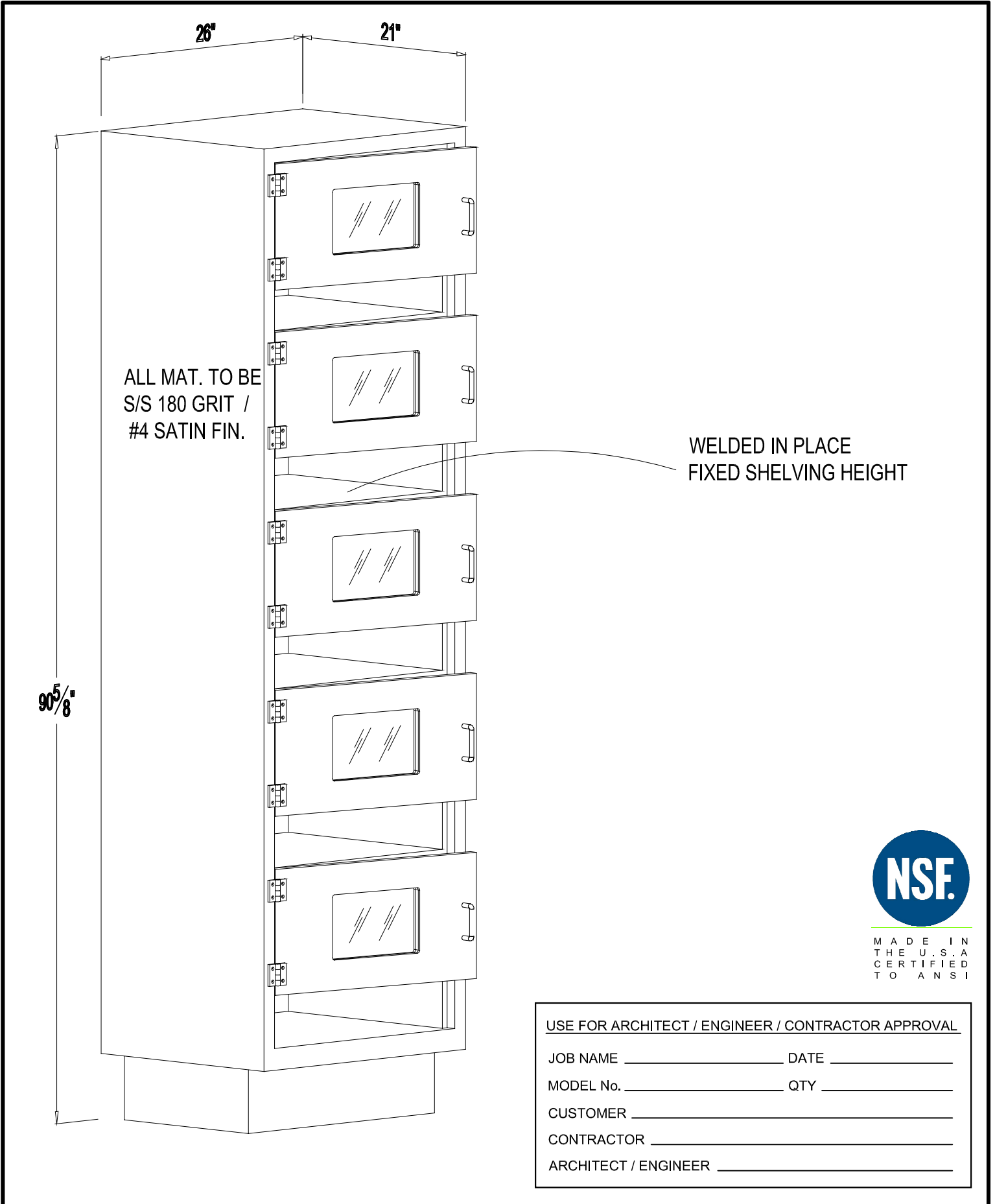
JOB NAME _____ DATE _____

MODEL No. _____ QTY _____

CUSTOMER _____

CONTRACTOR _____

ARCHITECT / ENGINEER _____



USE FOR ARCHITECT / ENGINEER / CONTRACTOR APPROVAL

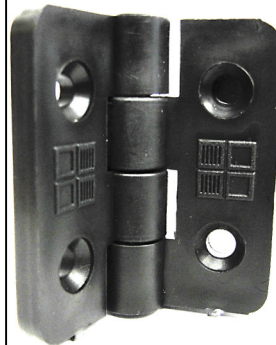
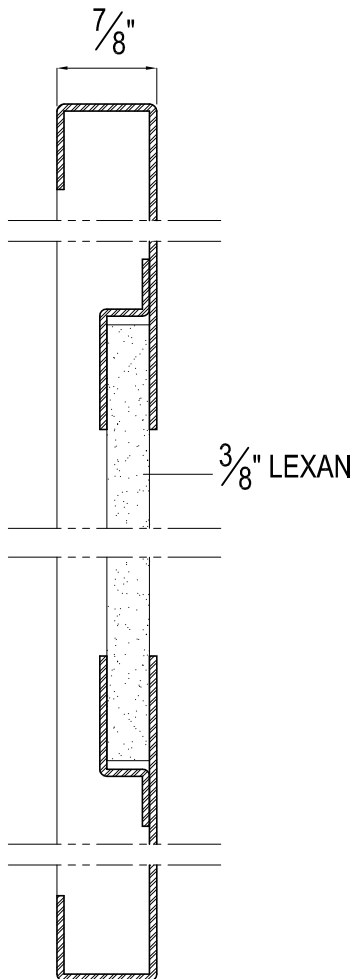
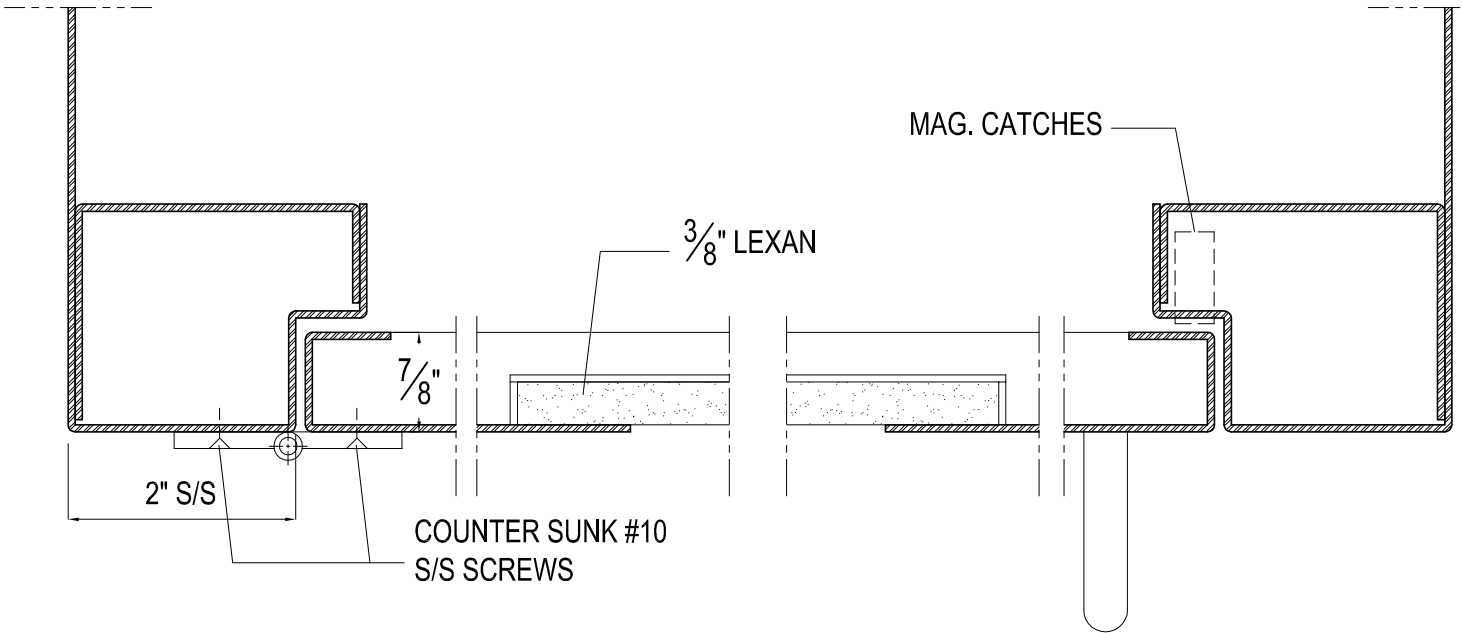
JOB NAME _____ DATE _____

MODEL No. _____ QTY _____

CUSTOMER _____

CONTRACTOR _____

ARCHITECT / ENGINEER _____



MADE IN
 THE U.S.A
 CERTIFIED
 TO ANSI

USE FOR ARCHITECT / ENGINEER / CONTRACTOR APPROVAL

JOB NAME _____ DATE _____

MODEL No. _____ QTY _____

CUSTOMER _____

CONTRACTOR _____

ARCHITECT / ENGINEER _____