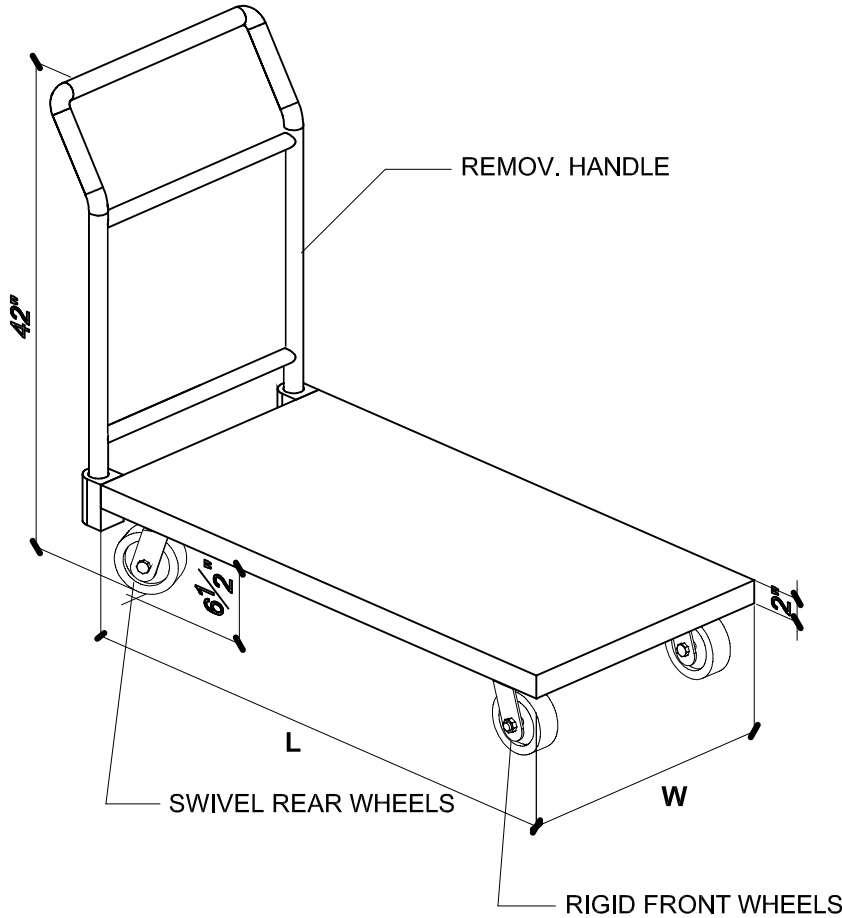


S/S HEAVY DUTY CLEAN ROOM MOBILE CART / MAX CAPACITY 4000 Lbs

STRUCTURAL STEEL CHANNEL
 FRAME ASSURES RUGGED DURABILITY.



MODEL No.	W	L	LIST PRICE
MPC - 1848	18" X	48"	\$1,250.00
MPC - 2448	24" X	48"	\$1,310.00
MPC - 3048	30" X	48"	\$1,450.00
MPC - 3648	36" X	48"	\$1,660.00



MADE IN
 THE U.S.A
 CERTIFIED
 TO ANSI

SPECIFICATIONS:

16 GA. STAINLESS STEEL CONSTRUCTION,
 T-304 HIGH GRADE MATERIALS.
 #4 SATIN POLISHED FINISH, FULLY
 WELDED AND POLISHED ASSEMBLY.

USE FOR ARCHITECT / ENGINEER / CONTRACTOR APPROVAL

JOB NAME _____ DATE _____

MODEL No. _____ QTY _____

CUSTOMER _____

CONTRACTOR _____

ARCHITECT / ENGINEER _____