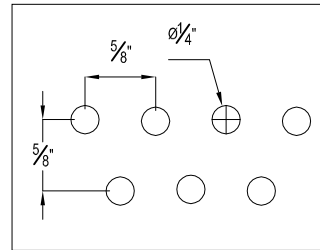
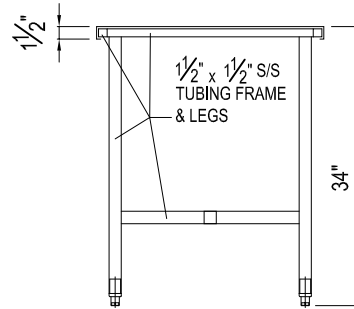
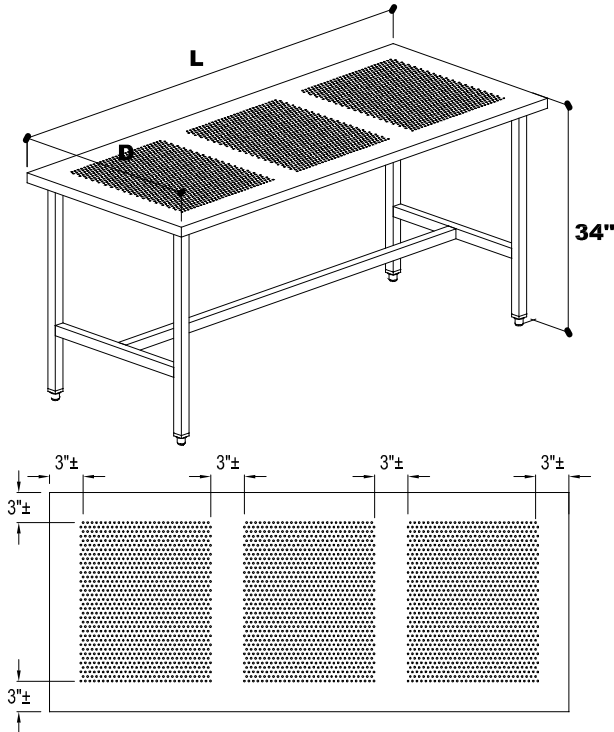


## ADVANCED-SERIES LIFE SCIENCE WORKTABLES HIGH GRADE STAINLESS STEEL

### 14GA. T-304 STAINLESS PERFORATED WORKTABLES / 40% LAMINAR FLOW RATE



**HOLES PATTERN**

MODEL NO. L (FT.) D	NET WT.
2WTSX - 24	45 #
2WTSX - 30	49 #
2WTSX - 36	53 #
3WTSX - 24	53 #
3WTSX - 30	60 #
3WTSX - 36	66 #
4WTSX - 24	61 #
4WTSX - 30	70 #
4WTSX - 36	78 #
5WTSX - 24	72 #
5WTSX - 30	82 #
5WTSX - 36	92 #
6WTSX - 24	83 #
6WTSX - 30	95 #
6WTSX - 36	106 #
7WTSX - 24	103 #
7WTSX - 30	117 #
7WTSX - 36	131 #
8WTSX - 24	114 #
8WTSX - 30	130 #
8WTSX - 36	146 #
9WTSX - 24	125 #
9WTSX - 30	133 #
9WTSX - 36	140 #
10WTSX - 24	135 #
10WTSX - 30	155 #
10WTSX - 36	175 #
11WTSX - 24	143 #
11WTSX - 30	164 #
11WTSX - 36	185 #
12WTSX - 24	150 #
12WTSX - 30	173 #
12WTSX - 36	195 #

### OPTIONS

- \$ 32.00  "TOP ONLY" ELECTRO POLISHED #32 (LN. FEET)
- \$ 425.00  GFI OUTLET WITH CORD REEL.
- \$ 85.00  ADDITIONAL GFI OUTLETS.
- \$ 86.00  24" END SPLASH.
- \$ 96.00  30" END SPLASH.
- \$ 106.00  36" END SPLASH.
- ADD 30%  FIXED UNDERSHELF.
- \$ 380.99  4115-P 15" X 20" S/S DRAWER ASSEMBLY & PLASTIC CAN LINER.
- \$ 480.00  4115-S 15" X 20" S/S DRAWER ASSEMBLY & S/S CAN LINER.
- \$ 450.00  AT-1717 WELDED IN 17" X 17" SINK 10" DEEP WITH BASKET DRAIN.
- \$ 212.00  SET OF 4 S/S STEM CASTERS WITH BRAKES.
- \$ 216.00  SET OF 6 S/S STEM CASTERS WITH BRAKES FOR TABLES OVER 6'-0" IN LENGTH.
- \$ 185.00  POWDER COATED KEYBOARD TRAY 16" X 25" WITH WRIST PAD.
- \$ 15.00  SIEMIC S/S FLANGED ADJUSTABLE FEET EACH.



MADE IN THE U.S.A  
CERTIFIED TO ANSI

### FEATURES:

- 1-1/2" EASED EDGE ON ALL SIDES.
- ADDED "STAINLESS" CLEAN ROOM SUPPORT CHANNELING.
- SOLID WELDED CONSTRUCTION "NO ASSEMBLY REQUIRED".
- FULLY TIG WELDED / POLISHED AND SEALED.
- ALL TOPS COME POLISHED WITH #4 SATIN FINISH.
- "NON EXPOSED" SOUND DEADENED TOP.
- SUPPORT GUSSETS FULLY WELDED TO CHANNELING.

### USE FOR ARCHITECT / ENGINEER / CONTRACTOR APPROVAL

JOB NAME \_\_\_\_\_ DATE \_\_\_\_\_

MODEL No. \_\_\_\_\_ QTY \_\_\_\_\_

CUSTOMER \_\_\_\_\_

CONTRACTOR \_\_\_\_\_

ARCHITECT / ENGINEER \_\_\_\_\_