

Stainless Steel Door Kick Plates

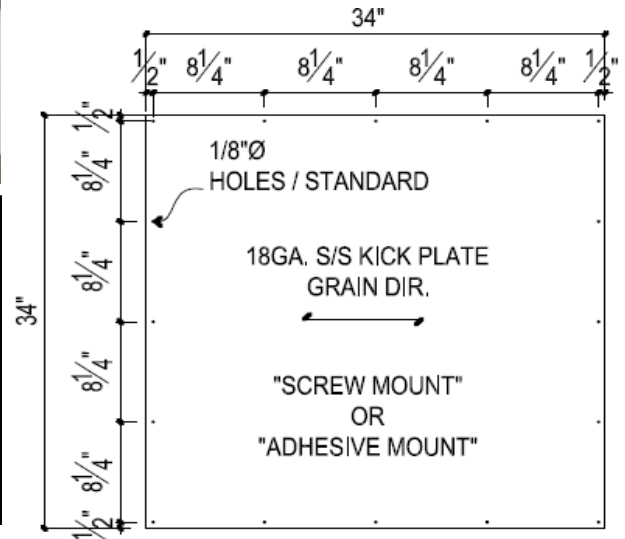
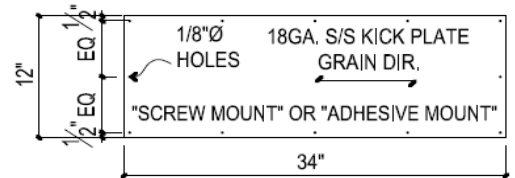
These kick plates are made from high grade stainless steel for applications that require either corrosion resistance or a maintenance free finish.

BERLIN FOOD & LAB EQUIPMENT COMPANY
 43 SOUTH LINDEN AVENUE
 SOUTH SAN FRANCISCO, CA 94080
 650-589-4321 F. 650-589-3981 WWW.BERLINUSA.COM



DEMENSIONAL/MAT. DATA

STAINLESS KICK PLATES	T-304 SATIN FINISH W/ HOLES				T-304 DULL FINISH W/ HOLES				T-316 DULL FINISH W/ HOLES				
	GA.	MODEL #		MODEL #	MODEL #		MODEL #		MODEL #		MODEL #		MODEL #
24 x 34	18GA.	HDWR4812	\$ 128.25	HDWR4827	\$ 118.25	HDWR4842	\$ 153.73						
28 x 8	18GA.	HDWR4813	\$ 48.28	HDWR4828	\$ 38.28	HDWR4843	\$ 49.76						
28 x 12	18GA.	HDWR4814	\$ 69.60	HDWR4829	\$ 59.60	HDWR4844	\$ 77.48						
28 x 36	18GA.	HDWR4815	\$ 140.09	HDWR4830	\$ 130.09	HDWR4845	\$ 169.12						
28 x 42	18GA.	HDWR4816	\$ 171.00	HDWR4831	\$ 161.00	HDWR4846	\$ 209.30						
30 x 8	18GA.	HDWR4817	\$ 50.30	HDWR4832	\$ 40.30	HDWR4847	\$ 52.39						
30 x 12	18GA.	HDWR4818	\$ 65.34	HDWR4833	\$ 55.34	HDWR4848	\$ 71.94						
34 x 8	18GA.	HDWR4819	\$ 54.32	HDWR4834	\$ 44.32	HDWR4849	\$ 57.62						
34 x 12	18GA.	HDWR4820	\$ 71.36	HDWR4835	\$ 61.36	HDWR4850	\$ 79.77						
34 x 34	18GA.	HDWR4821	\$ 168.32	HDWR4836	\$ 158.82	HDWR4851	\$ 206.47						
34 x 36	18GA.	HDWR4822	\$ 176.00	HDWR4837	\$ 166.00	HDWR4852	\$ 215.80						
34 x 42	18GA.	HDWR4823	\$ 198.40	HDWR4838	\$ 188.25	HDWR4853	\$ 244.76						
34 x 46	18GA.	HDWR4824	\$ 217.20	HDWR4839	\$ 207.20	HDWR4854	\$ 269.36						
36 x 8	18GA.	HDWR4825	\$ 53.32	HDWR4840	\$ 46.32	HDWR4855	\$ 60.22						
36 x 12	18GA.	HDWR4826	\$ 74.38	HDWR4841	\$ 64.38	HDWR4856	\$ 83.62						



USE FOR ARCHITECT / ENGINEER / CONTRACTOR APPROVAL

JOB NAME..... DATE.....
 MODEL NO..... QTY.....
 CUSTOMER.....
 CONTRACTOR.....
 ARCHITECT / ENGINEER.....