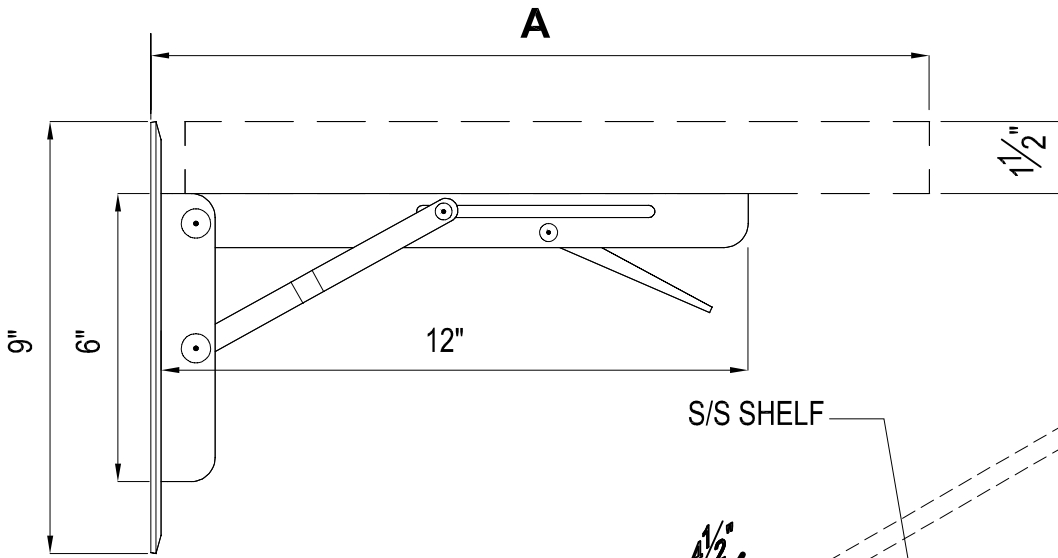
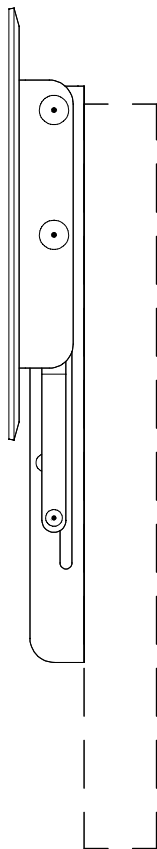
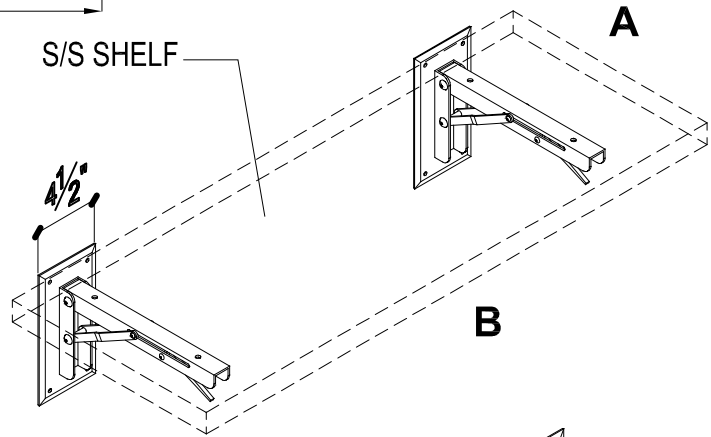


S/S SHELVING WITH FOLDING BRACKET ASSEMBLY



UP POSITION



FOLD DOWN POSITION

USE FOR ARCHITECT / ENGINEER / CONTRACTOR APPROVAL

JOB NAME _____ DATE _____

MODEL No. _____ QTY _____

CUSTOMER _____

CONTRACTOR _____

ARCHITECT / ENGINEER _____



FOOD & LAB EQUIPMENT COMPANY 43 SOUTH LINDEN AVE. SOUTH SAN FRANCISCO, CA 94080 PH (650) 589-4231 FAX (650) 589-3981
S.C.L. #341808 (650) 589-4231 www.BerlinUSA.com WWW.BERLINUSA.COM

Performance Through Stainless!