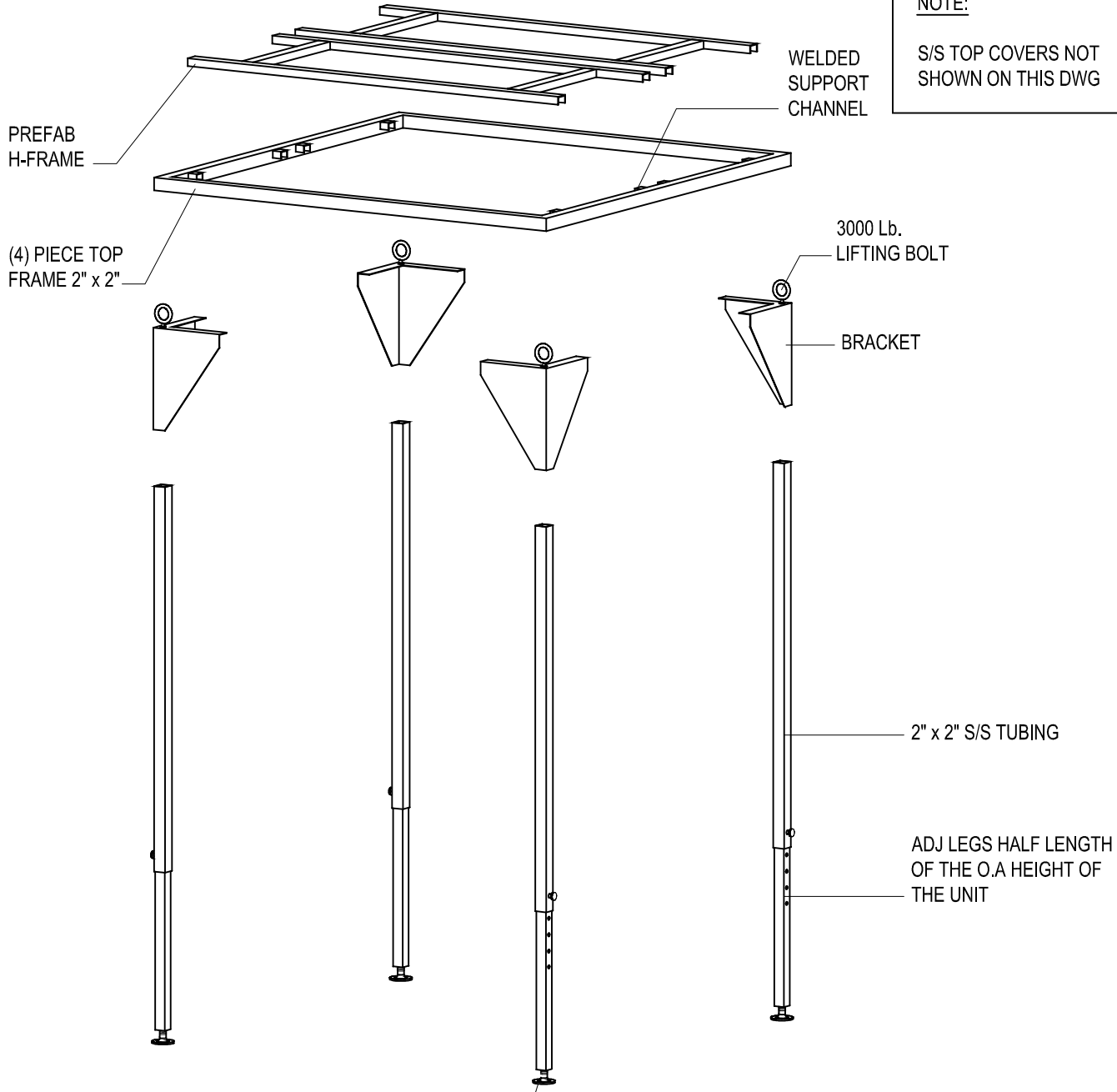


**NOTE:**

S/S TOP COVERS NOT SHOWN ON THIS DWG



PREFAB H-FRAME

WELDED SUPPORT CHANNEL

(4) PIECE TOP FRAME 2" x 2"

3000 Lb. LIFTING BOLT

BRACKET

2" x 2" S/S TUBING

ADJ LEGS HALF LENGTH OF THE O.A HEIGHT OF THE UNIT

1/2 x 13 THREADED ADJ. SELF LEVELING FOOT. 5000 Lb. CAPACITY



MADE IN THE U.S.A. CERTIFIED TO ANSI

USE FOR ARCHITECT / ENGINEER / CONTRACTOR APPROVAL

JOB NAME \_\_\_\_\_ DATE \_\_\_\_\_

MODEL No. \_\_\_\_\_ QTY \_\_\_\_\_

CUSTOMER \_\_\_\_\_

CONTRACTOR \_\_\_\_\_

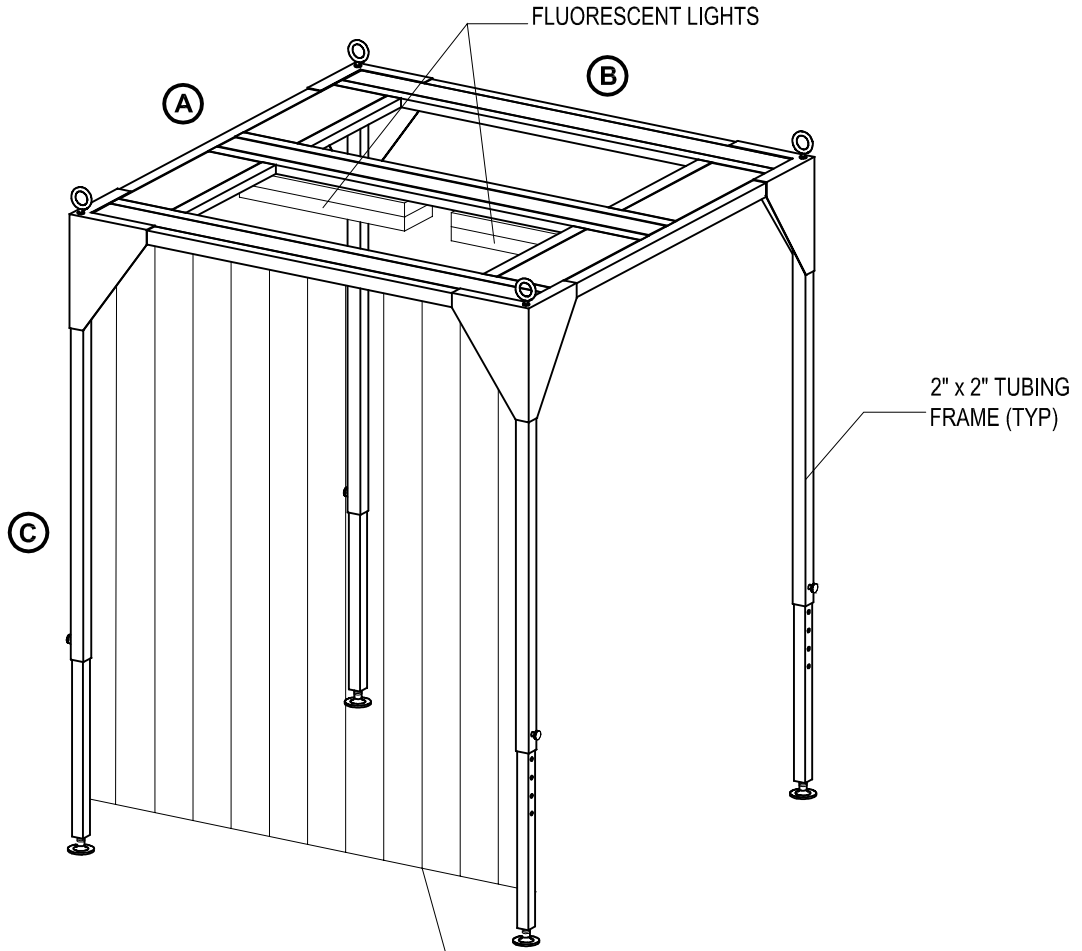
ARCHITECT / ENGINEER \_\_\_\_\_

**BERLIN**

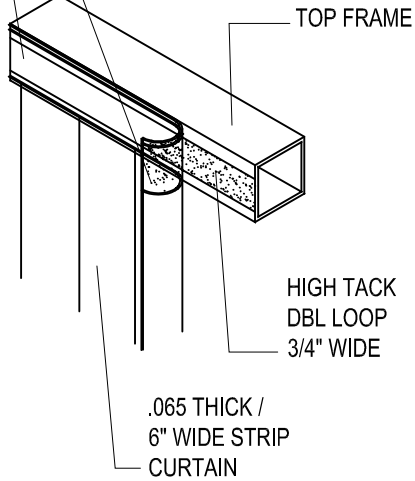
FOOD & LAB EQUIPMENT COMPANY  
SCL #341808 (650) 589-4231 www.BerlinUSA.com

*Performance Through Stainless!*

43 SOUTH LINDEN AVE. SOUTH SAN FRANCISCO, CA 94080 PH (650) 589-4231 FAX (650) 589-3981  
WWW.BERLINUSA.COM



INSIDE EDGE CURTAIN      STITCHED IN HOOK + LOOP LOOP 3/4" WIDE      INSIDE 6" WIDE STRIP CURTAIN @ +8" AFF



A =	<u>72"</u>
B =	<u>72"</u>
C =	<u>90"</u>



MADE IN THE U.S.A. CERTIFIED TO ANSI

USE FOR ARCHITECT / ENGINEER / CONTRACTOR APPROVAL

JOB NAME \_\_\_\_\_ DATE \_\_\_\_\_

MODEL No. \_\_\_\_\_ QTY \_\_\_\_\_

CUSTOMER \_\_\_\_\_

CONTRACTOR \_\_\_\_\_

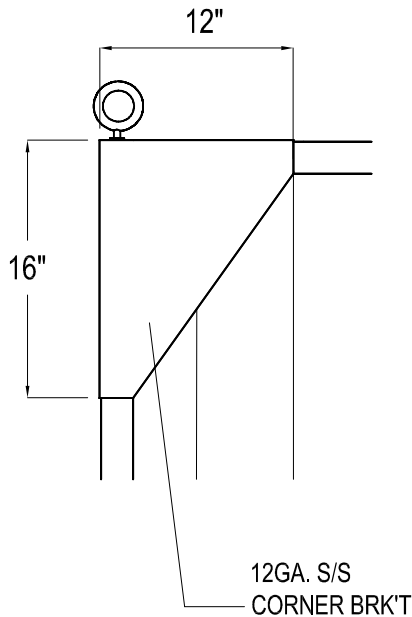
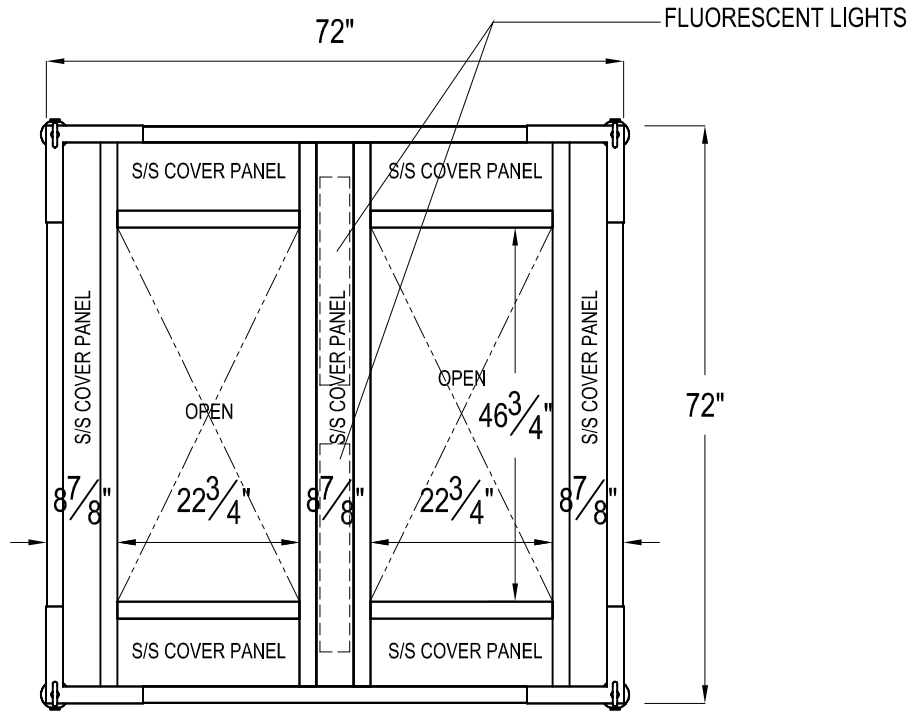
ARCHITECT / ENGINEER \_\_\_\_\_

**BERLIN**

FOOD & LAB EQUIPMENT COMPANY  
SCL #341808 (650) 589-4231 www.BerlinUSA.com

43 SOUTH LINDEN AVE. SOUTH SAN FRANCISCO, CA 94080 PH (650) 589-4231 FAX (650) 589-3981  
WWW.BERLINUSA.COM

*Performance Through Stainless!*



MADE IN  
THE U.S.A.  
CERTIFIED  
TO ANSI

USE FOR ARCHITECT / ENGINEER / CONTRACTOR APPROVAL

JOB NAME \_\_\_\_\_ DATE \_\_\_\_\_

MODEL No. \_\_\_\_\_ QTY \_\_\_\_\_

CUSTOMER \_\_\_\_\_

CONTRACTOR \_\_\_\_\_

ARCHITECT / ENGINEER \_\_\_\_\_

**BERLIN**

FOOD & LAB EQUIPMENT COMPANY  
SCL #341808 (650) 589-4231 www.BerlinUSA.com

43 SOUTH LINDEN AVE. SOUTH SAN FRANCISCO, CA 94080 PH (650) 589-4231 FAX (650) 589-3981  
WWW.BERLINUSA.COM

*Performance Through Stainless!*