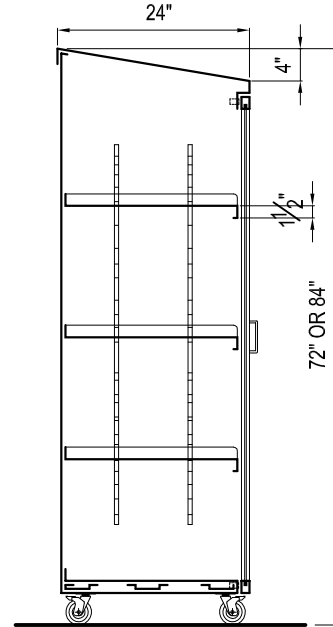
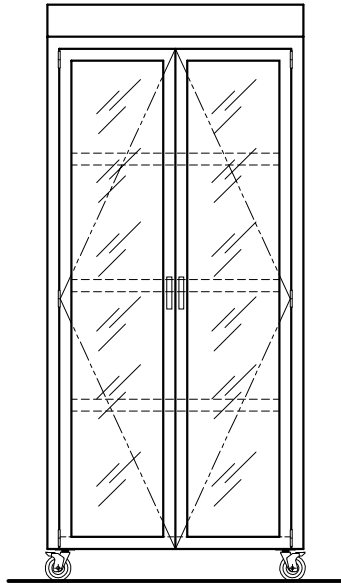


**CLEAN ROOM CABINET MOD: CRSC-1-SERIES**



C A B I N E T   C O N S T R U C T I O N

- 16 GAUGE STAINLESS STEEL HEAVY DUTY.
- #4 SATIN FINISH.
- DOUBLE PAN DOOR WITH GLASS.
- STAINLESS WIRE PULL HANDLES.
- STAINLESS HEAVY DUTY LIFT-OFF HINGES.
- REMOVABLE AND ADJUSTABLE SHELVING.
- PITCH TOP CONSTRUCTION.
- 4" TALL STAINLESS STEEL CASTERS.
- 3 EACH ADJUSTABLE SHELF.
- MAGNETIC DOOR CATCHES.

I N S T O C K   S I Z E S   A V A I L A B L E

CRSC-1A 48" x 24" x 72" TALL LIST PRICE \$ 4,850.00	CRSC-1B 42" x 24" x 72" TALL LIST PRICE \$ 4,250.00	CRSC-1C 36" x 24" x 72" TALL LIST PRICE \$ 3,650.00	CRSC-1D 32" x 24" x 72" TALL LIST PRICE \$ 3,250.00
--	--	--	--

I N S T O C K   S I Z E S   A V A I L A B L E

CRSC-1E 48" x 24" x 84" TALL LIST PRICE \$ 5,578.00	CRSC-1F 42" x 24" x 84" TALL LIST PRICE \$ 4,888.00	CRSC-1G 36" x 24" x 84" TALL LIST PRICE \$ 4,198.00	CRSC-1H 32" x 24" x 84" TALL LIST PRICE \$ 3,738.00
--	--	--	--



MADE IN THE U.S.A  
CERTIFIED TO ANSI

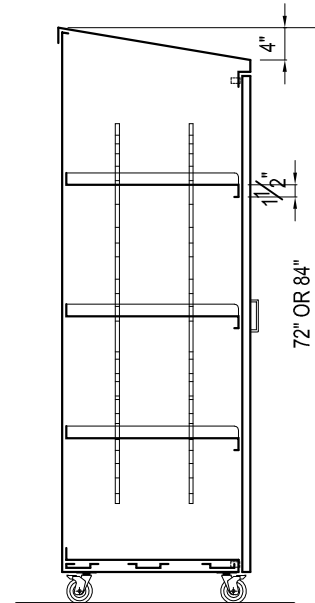
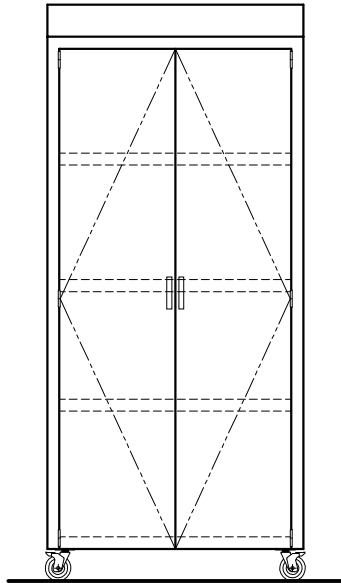
SPECIFICATIONS:

16 GA. STAINLESS STEEL CONSTRUCTION, T-304 HIGH GRADE MATERIALS. #4 SATIN POLISHED FINISH, FULLY WELDED AND POLISHED ASSEMBLY. NO SINKS ARE STAMPED.

USE FOR ARCHITECT / ENGINEER / CONTRACTOR APPROVAL

JOB NAME \_\_\_\_\_ DATE \_\_\_\_\_  
 MODEL No. \_\_\_\_\_ QTY \_\_\_\_\_  
 CUSTOMER \_\_\_\_\_  
 CONTRACTOR \_\_\_\_\_  
 ARCHITECT / ENGINEER \_\_\_\_\_

**CLEAN ROOM CABINET MOD: CRSC-2-SERIES**



C A B I N E T   C O N S T R U C T I O N

- 16 GAUGE STAINLESS STEEL HEAVY DUTY.
- #4 SATIN FINISH.
- DOUBLE PAN DOOR WITHOUT GLASS.
- STAINLESS WIRE PULL HANDLES.
- STAINLESS HEAVY DUTY LIFT-OFF HINGES.
- REMOVABLE AND ADJUSTABLE SHELVING.
- PITCH TOP CONSTRUCTION.
- 4" TALL STAINLESS STEEL CASTERS.
- 3 EACH ADJUSTABLE SHELF.
- MAGNETIC DOOR CATCHES.

I N S T O C K   S I Z E S   A V A I L A B L E

- CRSC-2A 48" x 24" x 72" TALL  
LIST PRICE \$ 4,450.00
- CRSC-2B 42" x 24" x 72" TALL  
LIST PRICE \$ 3,850.00
- CRSC-2C 36" x 24" x 72" TALL  
LIST PRICE \$ 3,350.00
- CRSC-2D 32" x 24" x 72" TALL  
LIST PRICE \$ 2,950.00

I N S T O C K   S I Z E S   A V A I L A B L E

- CRSC-2E 48" x 24" x 84" TALL  
LIST PRICE \$ 5,118.00
- CRSC-2F 42" x 24" x 84" TALL  
LIST PRICE \$ 4,428.00
- CRSC-2G 36" x 24" x 84" TALL  
LIST PRICE \$ 3,853.00
- CRSC-2H 32" x 24" x 84" TALL  
LIST PRICE \$ 3,393.00



MADE IN  
THE U.S.A  
CERTIFIED  
TO ANS I

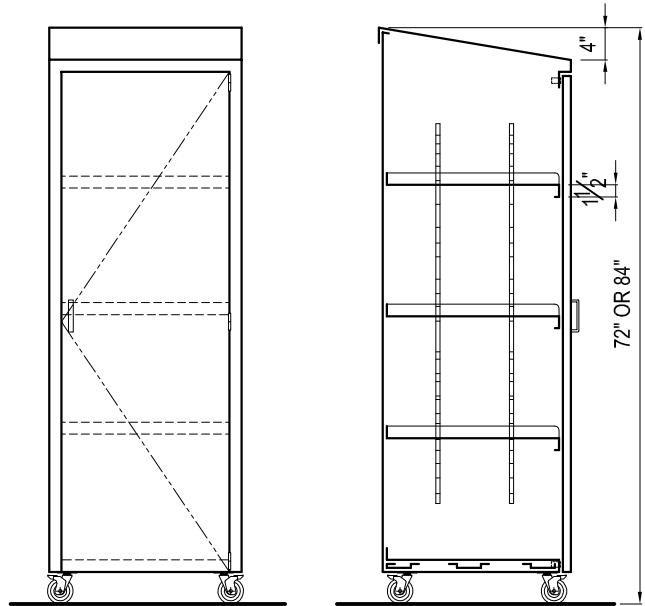
SPECIFICATIONS:

16 GA. STAINLESS STEEL CONSTRUCTION,  
T-304 HIGH GRADE MATERIALS.  
#4 SATIN POLISHED FINISH, FULLY  
WELDED AND POLISHED  
ASSEMBLY. NO SINKS ARE STAMPED.

USE FOR ARCHITECT / ENGINEER / CONTRACTOR APPROVAL

JOB NAME \_\_\_\_\_ DATE \_\_\_\_\_  
 MODEL No. \_\_\_\_\_ QTY \_\_\_\_\_  
 CUSTOMER \_\_\_\_\_  
 CONTRACTOR \_\_\_\_\_  
 ARCHITECT / ENGINEER \_\_\_\_\_

**CLEAN ROOM CABINET MOD: CRSC-24-SERIES**



C A B I N E T   C O N S T R U C T I O N

- 16 GAUGE STAINLESS STEEL HEAVY DUTY.
- #4 SATIN FINISH.
- DOUBLE PAN DOOR WITHOUT GLASS.
- STAINLESS WIRE PULL HANDLES.
- STAINLESS HEAVY DUTY LIFT-OFF HINGES.
- REMOVABLE AND ADJUSTABLE SHELVING.
- PITCH TOP CONSTRUCTION.
- 4" TALL STAINLESS STEEL CASTERS.
- 3 EACH ADJUSTABLE SHELF.
- MAGNETIC DOOR CATCHES.

I N S T O C K   S I Z E S   A V A I L A B L E

CRSC-24-1 24" x 24" x 72" TALL LIST PRICE \$ 2,750.00
CRSC-24-2 42" x 24" x 72" TALL LIST PRICE \$ 2,450.00
CRSC-24-3 16" x 24" x 72" TALL LIST PRICE \$ 2,250.00
CRSC-24-4 12" x 24" x 72" TALL LIST PRICE \$ 2,050.00

I N S T O C K   S I Z E S   A V A I L A B L E

CRSC-24-5 24" x 24" x 84" TALL LIST PRICE \$ 3,163.00
CRSC-24-6 42" x 24" x 84" TALL LIST PRICE \$ 2,818.00
CRSC-24-7 16" x 24" x 84" TALL LIST PRICE \$ 2,587.00
CRSC-24-8 12" x 24" x 84" TALL LIST PRICE \$ 2,358.00



MADE IN  
 THE U.S.A  
 CERTIFIED  
 TO ANS I

SPECIFICATIONS:

16 GA. STAINLESS STEEL CONSTRUCTION,  
 T-304 HIGH GRADE MATERIALS.  
 #4 SATIN POLISHED FINISH, FULLY  
 WELDED AND POLISHED  
 ASSEMBLY. NO SINKS ARE STAMPED.

USE FOR ARCHITECT / ENGINEER / CONTRACTOR APPROVAL

JOB NAME \_\_\_\_\_ DATE \_\_\_\_\_  
 MODEL No. \_\_\_\_\_ QTY \_\_\_\_\_  
 CUSTOMER \_\_\_\_\_  
 CONTRACTOR \_\_\_\_\_  
 ARCHITECT / ENGINEER \_\_\_\_\_