

**HIGH GRADE STAINLESS STEEL  
GB1 SERIES CLEAN ROOM BENCH WITH CASTERS**

	A	B	C
MODEL NO.	WIDTH	LENGTH	HEIGHT
GB1-24	14"	24"	18"
GB1-36	14"	36"	18"
GB1-48	14"	48"	18"
GB1-60	14"	60"	18"
GB1-72	14"	72"	18"
GB1-84	14"	84"	18"
GB1-96	14"	96"	18"
GB1-120	14"	120"	18"

OPTIONS

- ELECTROPOLISHED
- T-316 S/S AVAILABLE
- PERFORATED TOP
- L-SHAPE SECTIONS
- REMOVABLE UNDERSHELF

	A	B	C	
	W	L	H	QTY
CUSTOM				
SIZE				
QUOTE				

FOR QUICK QUOTE FAX TO 650-589-3981

SPECIFICATIONS

- TOPS ARE CONSTRUCTED OF 14 GAUGE, T-304 STAINLESS STEEL WITH A #4 FINISH.
- CHANNELING IS CONSTRUCTED OF 18 GAUGE, T-304 STAINLESS STEEL.
- AVAILABLE IN CUSTOM SIZES TO SUIT YOUR REQUIREMENTS.
- OPTIONS OF MOBILE CLEAN ROOM CASTERS ADD ( \$160.00).
- HEAVY DUTY CLEAN ROOM GMP CONSTRUCTION.



MADE IN THE U.S.A. CERTIFIED TO ANSI

USE FOR ARCHITECT / ENGINEER / CONTRACTOR APPROVAL

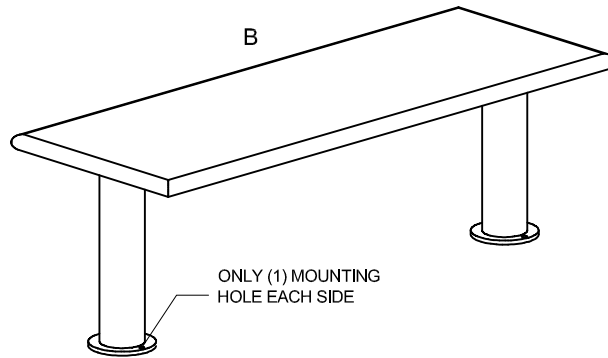
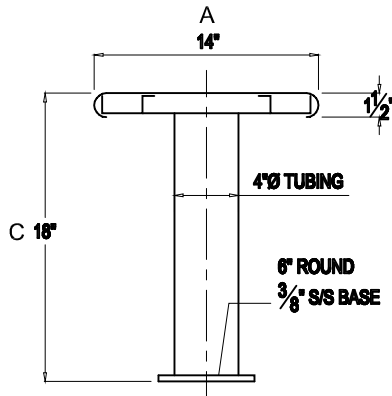
JOB NAME \_\_\_\_\_ DATE \_\_\_\_\_

MODEL No. \_\_\_\_\_ QTY \_\_\_\_\_

CUSTOMER \_\_\_\_\_

CONTRACTOR \_\_\_\_\_

ARCHITECT / ENGINEER \_\_\_\_\_



### HIGH GRADE STAINLESS STEEL GB2 SERIES CLEAN ROOM BENCH WITH PEDESTAL

	A	B	C
MODEL NO.	WIDTH	LENGTH	HEIGHT
GB2-24	14"	24"	18"
GB2-36	14"	36"	18"
GB2-48	14"	48"	18"
GB2-60	14"	60"	18"
GB2-72	14"	72"	18"
GB2-84	14"	84"	18"
GB2-96	14"	96"	18"
GB2-120	14"	120"	18"

### OPTIONS

- ELECTROPOLISHED
- T-316 S/S AVAILABLE
- PERFORATED TOP
- L-SHAPE SECTIONS
- REMOVABLE UNDERSHELF

	A	B	C	
CUSTOM S I Z E Q U O T E	W	L	H	QTY

FOR QUICK QUOTE FAX TO 650-589-3981

### SPECIFICATIONS

- TOPS ARE CONSTRUCTED OF 14 GAUGE, T-304 STAINLESS STEEL WITH A #4 FINISH.
- CHANNELING IS CONSTRUCTED OF 18 GAUGE, T-304 STAINLESS STEEL.
- AVAILABLE IN CUSTOM SIZES TO SUIT YOUR REQUIREMENTS.
- OPTIONS OF MOBILE CLEAN ROOM CASTERS ADD ( \$160.00).
- HEAVY DUTY CLEAN ROOM GMP CONSTRUCTION.



MADE IN  
THE U.S.A  
CERTIFIED  
TO ANS I

#### USE FOR ARCHITECT / ENGINEER / CONTRACTOR APPROVAL

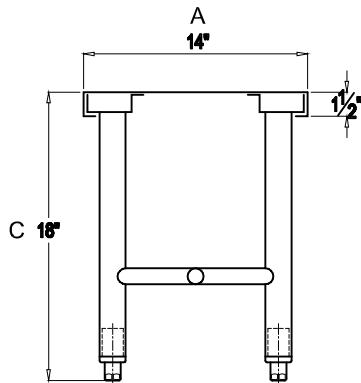
JOB NAME \_\_\_\_\_ DATE \_\_\_\_\_

MODEL No. \_\_\_\_\_ QTY \_\_\_\_\_

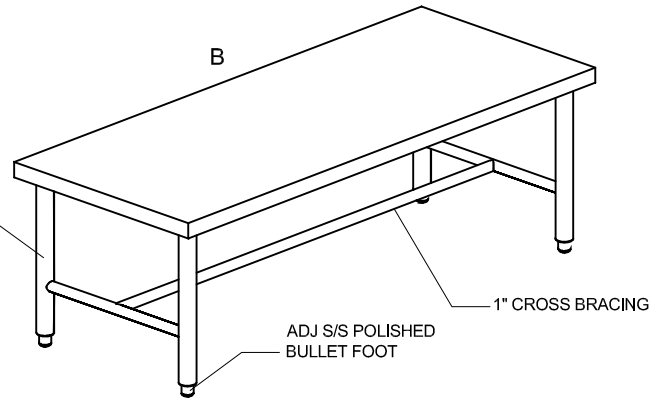
CUSTOMER \_\_\_\_\_

CONTRACTOR \_\_\_\_\_

ARCHITECT / ENGINEER \_\_\_\_\_



1-5/8" Ø  
VERT. TUBE



ADJ S/S POLISHED  
BULLET FOOT

1" CROSS BRACING

HIGH GRADE STAINLESS STEEL  
GB3 SERIES CLEAN ROOM BENCH WITH  
A D J U S T A B L E F E E T

	A	B	C
MODEL NO.	WIDTH	LENGTH	HEIGHT
GB3-24	14"	24"	18"
GB3-36	14"	36"	18"
GB3-48	14"	48"	18"
GB3-60	14"	60"	18"
GB3-72	14"	72"	18"
GB3-84	14"	84"	18"
GB3-96	14"	96"	18"
GB3-120	14"	120"	18"

### OPTIONS

- ELECTROPOLISHED
- T-316 S/S AVAILABLE
- PERFORATED TOP
- L-SHAPE SECTIONS
- REMOVABLE UNDERSHELF

	A	B	C	
CUSTOM S I Z E Q U O T E	W	L	H	QTY

FOR QUICK QUOTE FAX TO 650-589-3981

### SPECIFICATIONS

- TOPS ARE CONSTRUCTED OF 14 GAUGE, T-304 STAINLESS STEEL WITH A #4 FINISH.
- CHANNELING IS CONSTRUCTED OF 18 GAUGE, T-304 STAINLESS STEEL.
- AVAILABLE IN CUSTOM SIZES TO SUIT YOUR REQUIREMENTS.
- OPTIONS OF MOBILE CLEAN ROOM CASTERS ADD ( \$160.00).
- HEAVY DUTY CLEAN ROOM GMP CONSTRUCTION.



MADE IN  
THE U.S.A  
CERTIFIED  
TO ANS I

USE FOR ARCHITECT / ENGINEER / CONTRACTOR APPROVAL

JOB NAME \_\_\_\_\_ DATE \_\_\_\_\_

MODEL No. \_\_\_\_\_ QTY \_\_\_\_\_

CUSTOMER \_\_\_\_\_

CONTRACTOR \_\_\_\_\_

ARCHITECT / ENGINEER \_\_\_\_\_