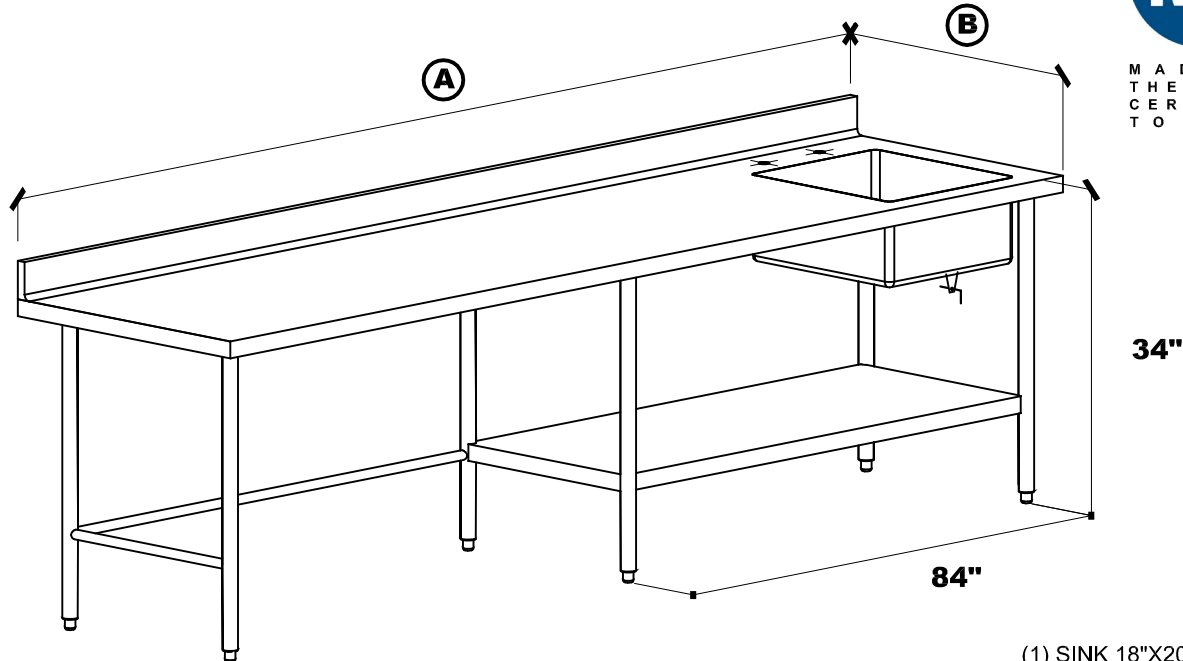




MADE IN THE U.S.A
CERTIFIED TO ANSI



- (1) SINK 18"X20"X10"
- (1) LEVER WASTE
- 84" RIGHT UNDERSHELF
- 6" BACK SPLASH

WORKTABLE W/ SINK

DIMENTIONAL DATA

MODEL NO.	OVERALL		NET WT.	MODEL NO.	OVERALL		NET WT.
	"A"	"B"			"A"	"B"	
2WTRSX - 24	24"	24"	47 #	8WTRSX - 24	96"	24"	122 #
2WTRSX - 30	24"	30"	51 #	8WTRSX - 30	96"	30"	138 #
2WTRSX - 36	24"	36"	55 #	8WTRSX - 36	96"	36"	154 #
3WTRSX - 24	36"	24"	56 #	9WTRSX - 24	108"	24"	134 #
3WTRSX - 30	36"	30"	63 #	9WTRSX - 30	108"	30"	142 #
3WTRSX - 36	36"	36"	69 #	9WTRSX - 36	108"	36"	149 #
4WTRSX - 24	48"	24"	65 #	10WTRSX - 24	120"	24"	145 #
4WTRSX - 30	48"	30"	75 #	10WTRSX - 30	120"	30"	165 #
4WTRSX - 36	48"	36"	82 #	10WTRSX - 36	120"	36"	185 #
5WTRSX - 24	60"	24"	77 #	11WTRSX - 24	132"	24"	154 #
5WTRSX - 30	60"	30"	87 #	11WTRSX - 30	132"	30"	175 #
5WTRSX - 36	60"	36"	97 #	11WTRSX - 36	132"	36"	196 #
6WTRSX - 24	72"	24"	89 #	12WTRSX - 24	140"	24"	162 #
6WTRSX - 30	72"	30"	101 #	12WTRSX - 30	140"	30"	185 #
6WTRSX - 36	72"	36"	112 #	12WTRSX - 36	140"	36"	207 #
7WTRSX - 24	84"	24"	110 #				
7WTRSX - 30	84"	30"	124 #				
7WTRSX - 36	84"	36"	138 #				

SPECIFICATIONS

STA - PRO WTRSX SERIES WORKTABLES ARE CONSTRUCTED WITH A FULL PERIMETER, HEAVY ANGLE IRON FRAME TO SUPPORT THE 16 GA. TYPE 304 STAINLESS STEEL, SOUND DEADENED TOP. THE 4" HIGH COVERED BACK SPLASH HAS A 1" RETURN TO THE WALL AND A TURN DOWN AT THE WALL. LEGS ARE 1.625" O.D. STAINLESS STEEL TUBE WITH N.S.F. ADJUSTABLE BULLET FEET AND ARE WELDED TO THE PERIMETER FRAME. THE 1" O.D. STAINLESS STEEL TUBE CROSSBRACING IS FULLY WELDED AT EACH LEG 8" ABOVE THE FLOOR.