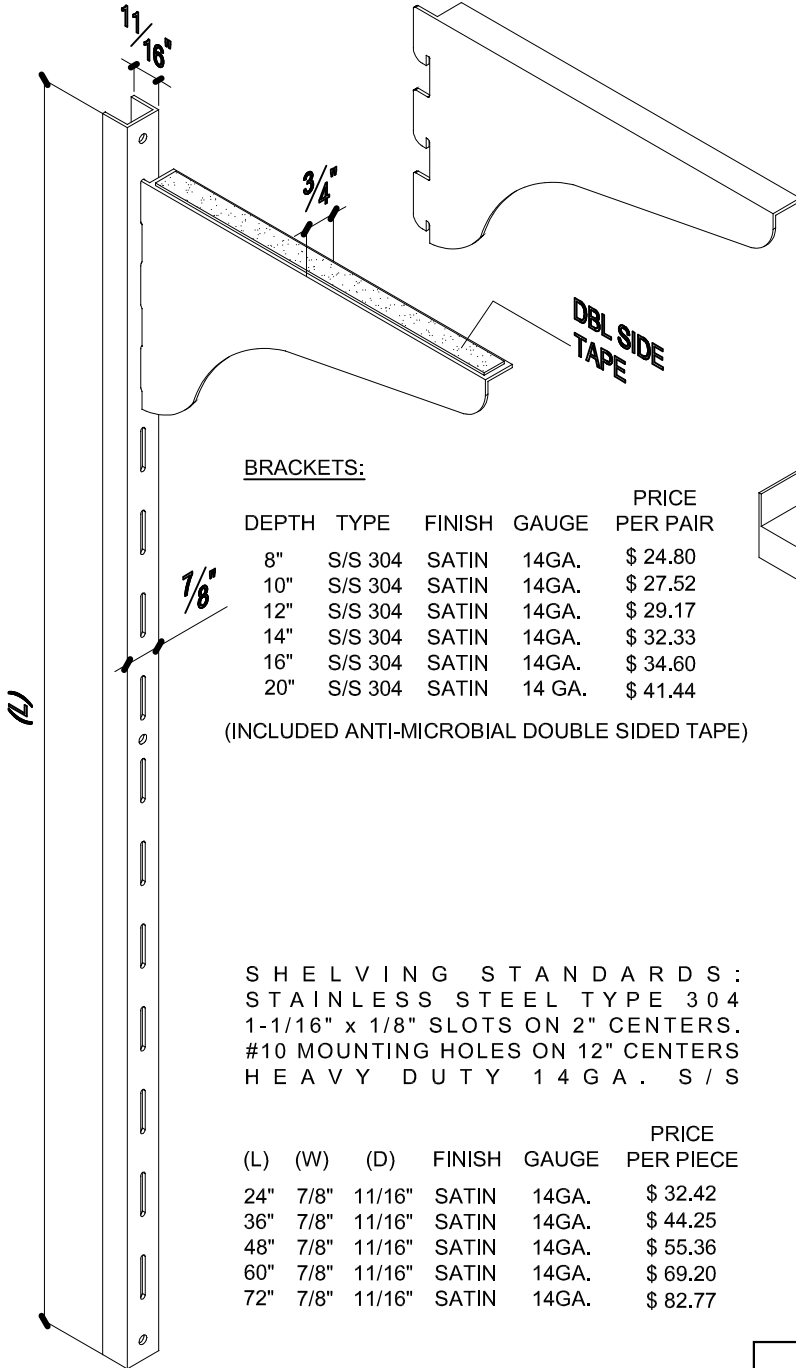


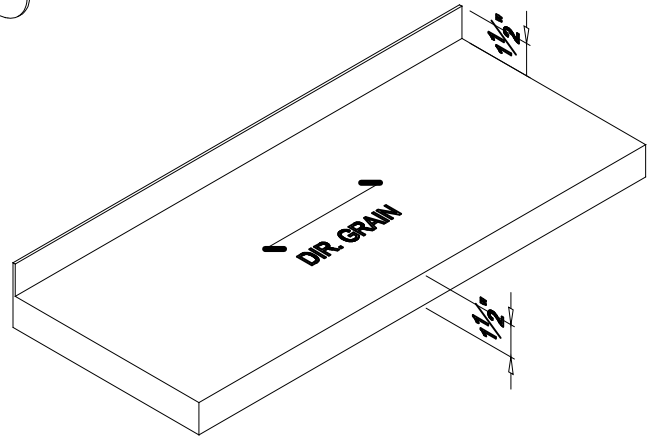
HEAVY DUTY ADJUSTABLE STAINLESS STEEL SHELVING SYSTEM



BRACKETS:

DEPTH	TYPE	FINISH	GAUGE	PRICE PER PAIR
8"	S/S 304	SATIN	14GA.	\$ 24.80
10"	S/S 304	SATIN	14GA.	\$ 27.52
12"	S/S 304	SATIN	14GA.	\$ 29.17
14"	S/S 304	SATIN	14GA.	\$ 32.33
16"	S/S 304	SATIN	14GA.	\$ 34.60
20"	S/S 304	SATIN	14 GA.	\$ 41.44

(INCLUDED ANTI-MICROBIAL DOUBLE SIDED TAPE)



HEAVY DUTY 16GA. T-304 S/S SHELVING

(D)	(L)	FINISH	PRICING
8"	12" UP TO 10 FT.	SATIN	\$ 4.19 PER
10"	CONTINUOUS	SATIN	L.N. INCH
12"	(LENGTH MUST	SATIN	
14"	BE SPECIFIED)	SATIN	
16"		SATIN	
20"		SATIN	

SHELVING STANDARDS :
 STAINLESS STEEL TYPE 304
 1-1/16" x 1/8" SLOTS ON 2" CENTERS.
 #10 MOUNTING HOLES ON 12" CENTERS
 HEAVY DUTY 14 GA. S/S

(L)	(W)	(D)	FINISH	GAUGE	PRICE PER PIECE
24"	7/8"	11/16"	SATIN	14GA.	\$ 32.42
36"	7/8"	11/16"	SATIN	14GA.	\$ 44.25
48"	7/8"	11/16"	SATIN	14GA.	\$ 55.36
60"	7/8"	11/16"	SATIN	14GA.	\$ 69.20
72"	7/8"	11/16"	SATIN	14GA.	\$ 82.77

USE FOR ARCHITECT / ENGINEER / CONTRACTOR APPROVAL

_____ DATE _____ JOB NAME
 _____ QTY _____ MODEL No.
 _____ CUSTOMER
 _____ CONTRACTOR
 _____ ARCHITECT / ENGINEER



MADE IN
 THE U.S.A
 CERTIFIED
 TO ANSI