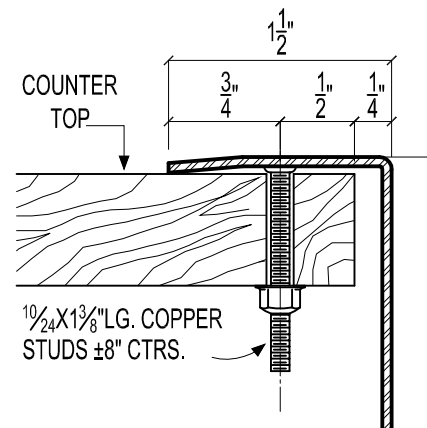
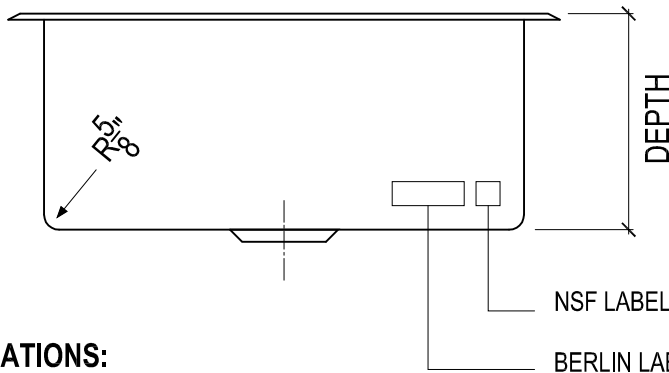


MADE IN
THE U.S.A
CERTIFIED
TO ANSI



SPECIFICATIONS:

16 GA. T-304 S/S #4
FINISH I.D., DROP-IN
SINK. BUILT TO COMPLY
WITH N.S.F. STD 2

OPTIONAL:

- 3-1/2" BASKET DRAIN
- SOUND DEADENED BOTTOM

USE FOR ARCHITECT / ENGINEER / CONTRACTOR APPROVAL

JOB NAME _____ DATE _____

MODEL No. _____ QTY _____

CUSTOMER _____

CONTRACTOR _____

ARCHITECT / ENGINEER _____