

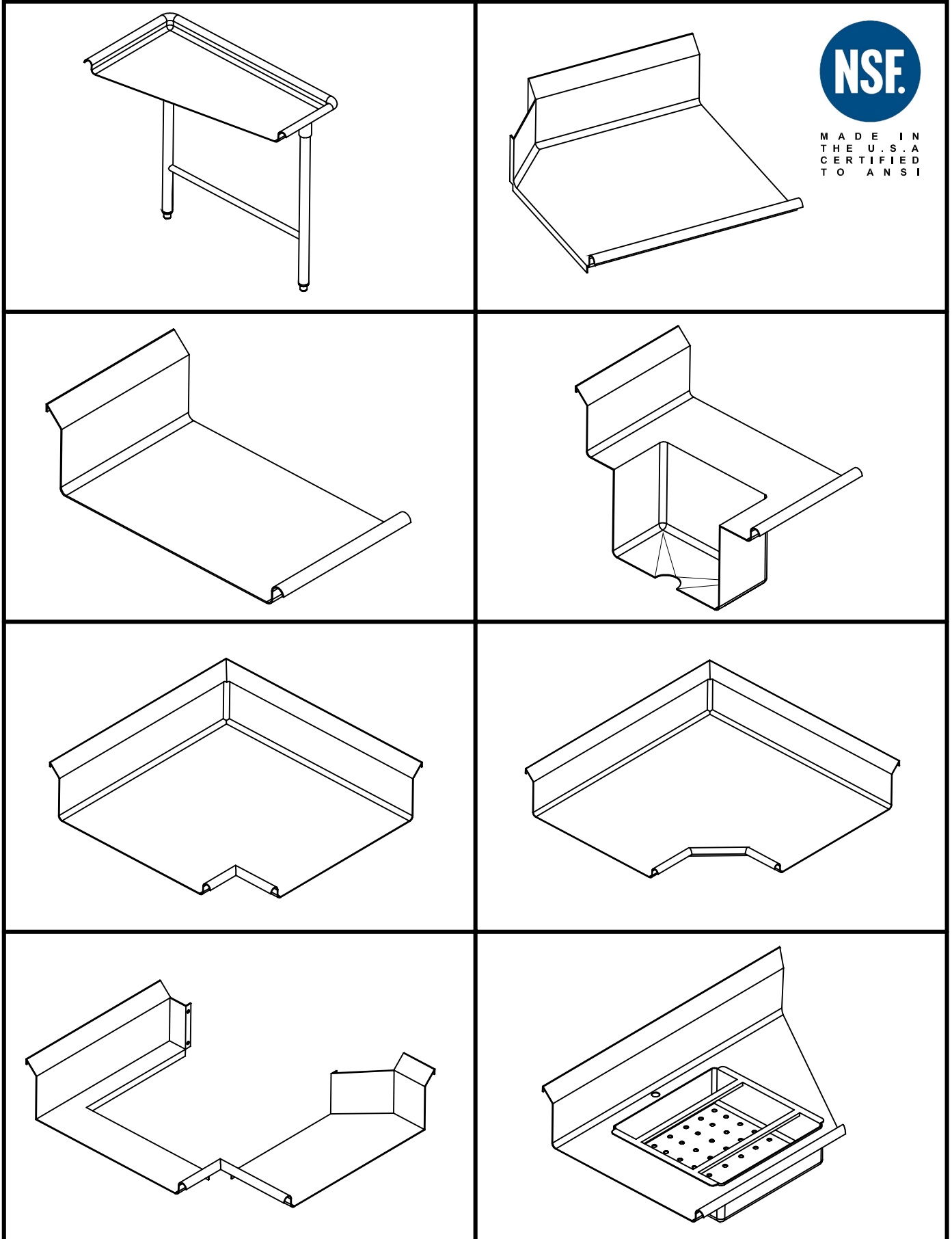
BERLIN DISHTABLES

FOOD & LAB EQUIPMENT CO.
Performance through stainless!

Performance Through Stainless!

877-499-4231

43 SOUTH LINDEN AVE. SOUTH SAN FRANCISCO, CA 94080 PH (650) 589-4231 FAX (650) 589-3981 WWW.BERLINUSA.COM



MADE IN
THE U.S.A.
CERTIFIED
TO ANSI

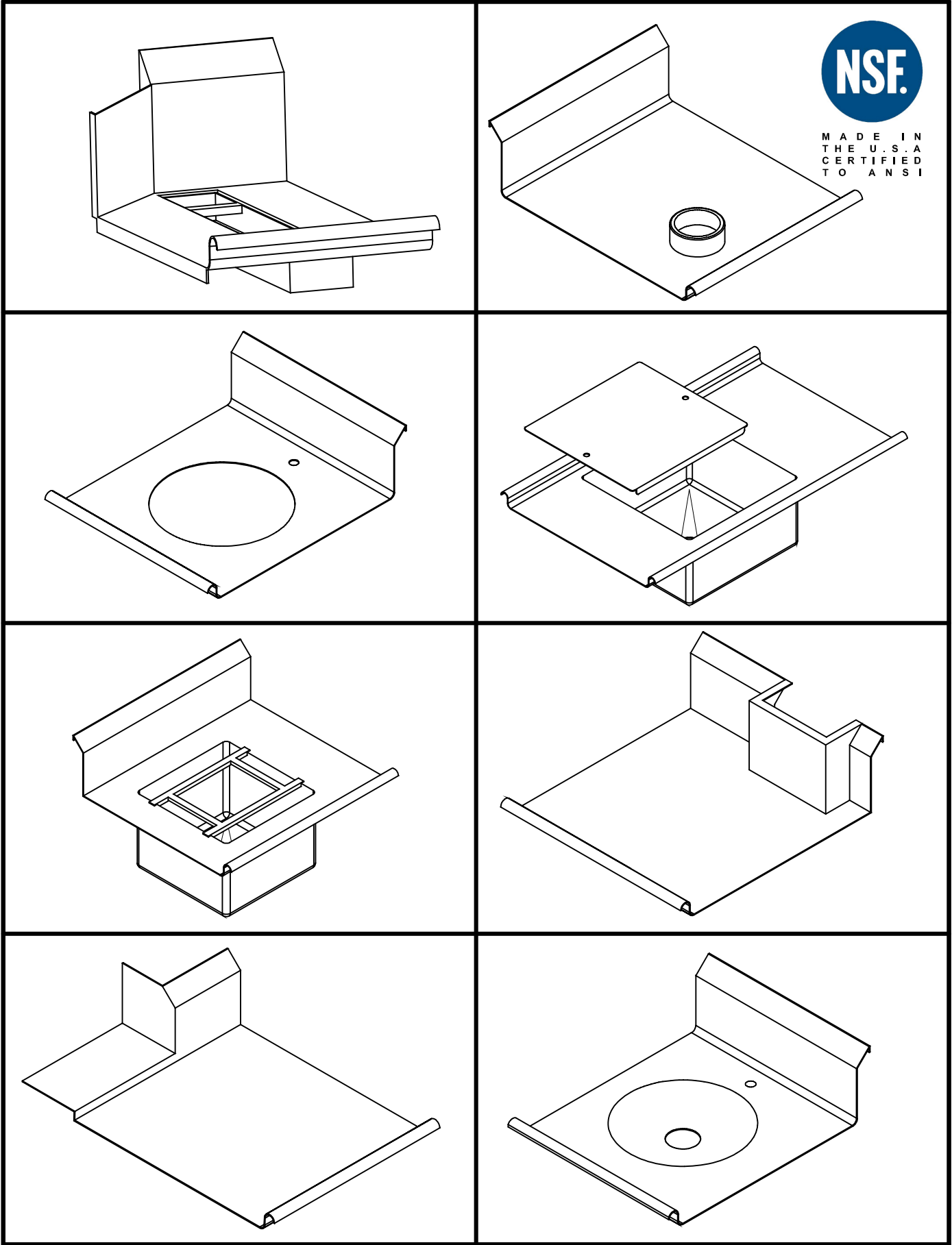
BERLIN DISHTABLES

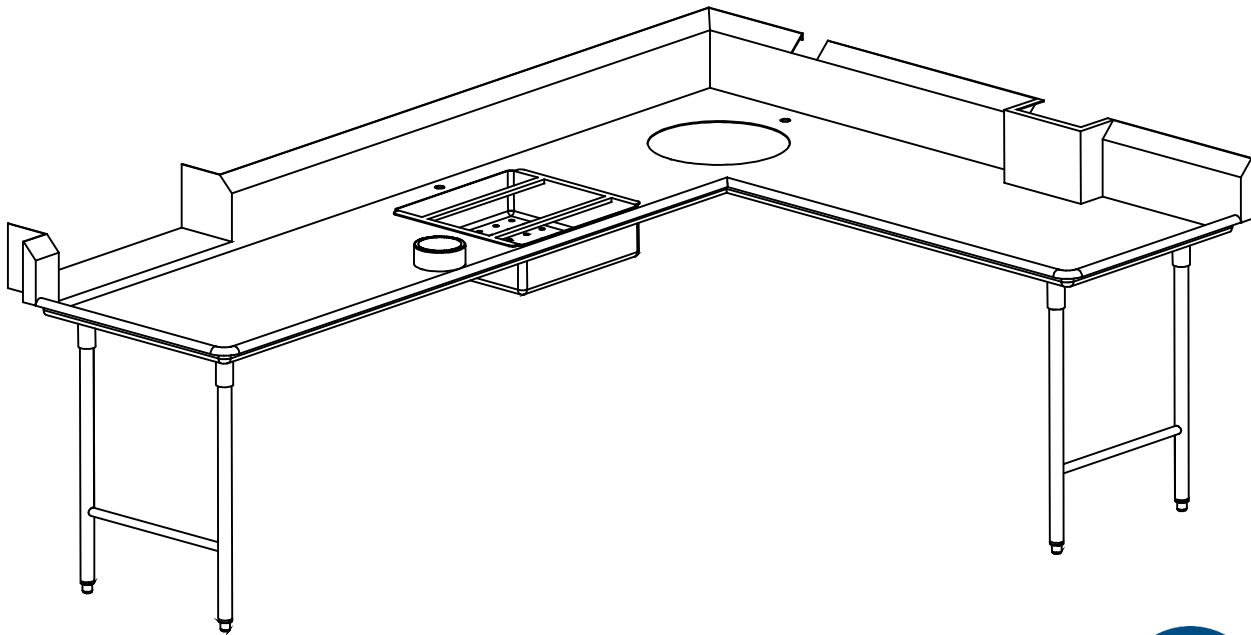
FOOD & LAB EQUIPMENT CO.
Performance through stainless!

Performance Through Stainless!

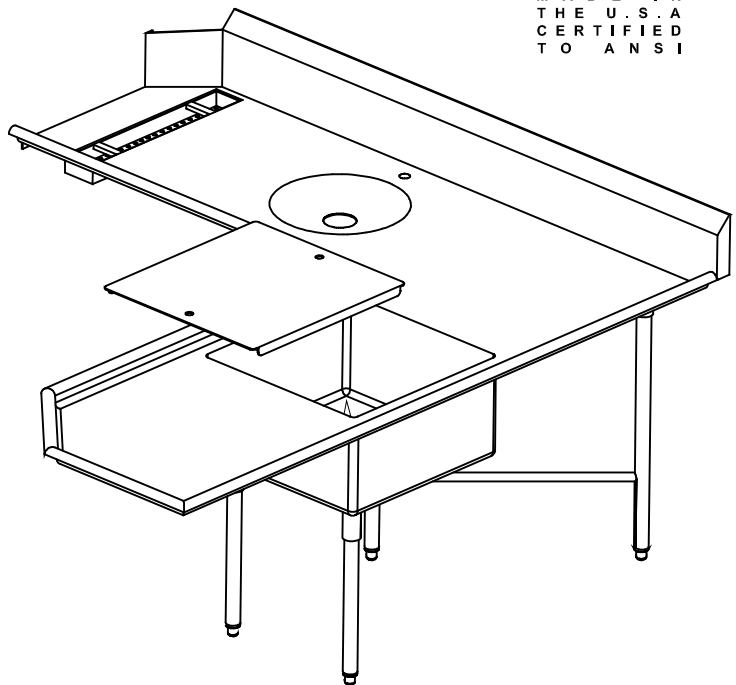
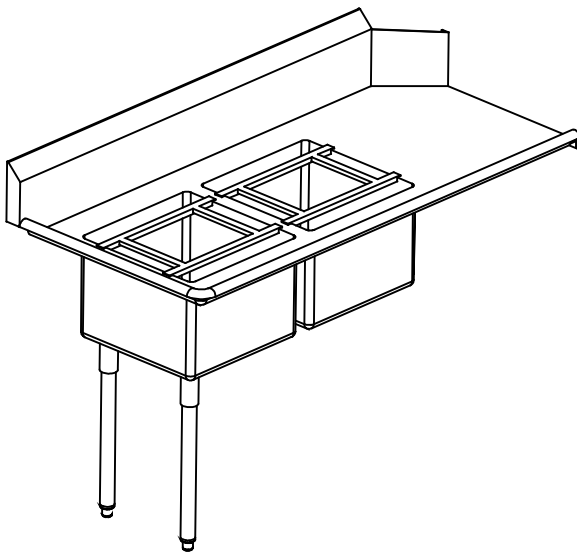
877-499-4231

43 SOUTH LINDEN AVE. SOUTH SAN FRANCISCO, CA 94080 PH (650) 589-4231 FAX (650) 589-3981 WWW.BERLINUSA.COM



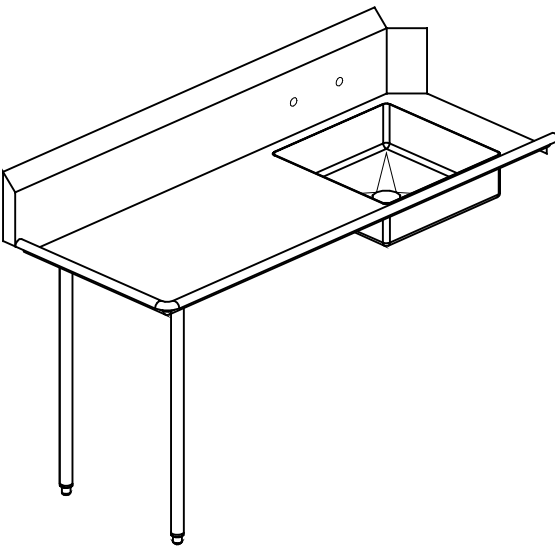


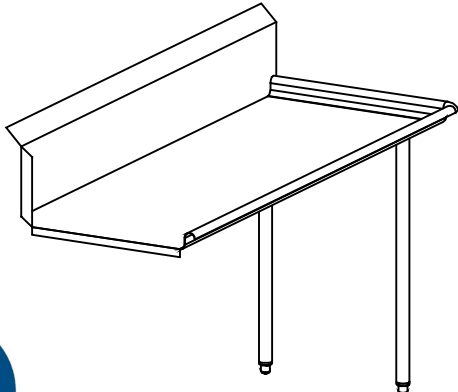

MADE IN
THE U.S.A
CERTIFIED
TO ANSI



SPECIFICATIONS

STA-PRO DISHTABLES ARE CONSTRUCTED OF 16 GAUGE, TYPE 302, SERIES 18-8 STAINLESS STEEL. ALL SEAMS ARE WELDED, GROUND SMOOTH AND POLISHED. AVAILABLE IN EITHER STANDARD CONSTRUCTION (SQUARE CORNERS) OR N.S.F. APPROVED CONSTRUCTION.

 <p style="text-align: center;">SOILED DISHTABLE</p>	MODEL NO.	NET WT.	\$ LIST PRICE
	3-SDT	65 #	990
	4-SDT	76 #	1052
	5-SDT	87 #	1114
	6-SDT	98 #	1176
	7-SDT	116 #	1356
	8-SDT	127 #	1418
	9-SDT	138 #	1480
	10-SDT	149 #	1542

 <div style="display: flex; align-items: center; margin-top: 20px;">  <p style="font-size: small; margin: 0;">MADE IN THE U.S.A CERTIFIED TO ANSI</p> </div> <p style="text-align: center; margin-top: 20px;">CLEAN DISHTABLE</p>	MODEL NO.	NET WT.	\$ LIST PRICE
	2-CDT	24 #	606
	3-CDT	35 #	668
	4-CDT	46 #	730
	5-CDT	57 #	792
	6-CDT	68 #	854
	7-CDT	85 #	1034
	8-CDT	96 #	1096
	9-CDT	107 #	1158
	10-CDT	118 #	1220

OPTIONS

#SHSB, DIE STAMP SCRAP HOLE WITH RUBBER SCRAP BLOCK	3 #	\$ 102 / EA.
#SBP, PLASTIC SCRAP BASKET AND S/S RACK SLIDE	10 #	\$ 158 / EA.
#RS-20, REMOVABLE S/S RACK SLIDE	5 #	\$ 116 / EA.
#DTES, END SPLASH	4 #	\$ 170 / EA.
S/S LEGS IN LIEU OF G.I. LEGS,	THRU 6'-0", ADD \$ 30	OVER 6'-0", ADD \$ 60