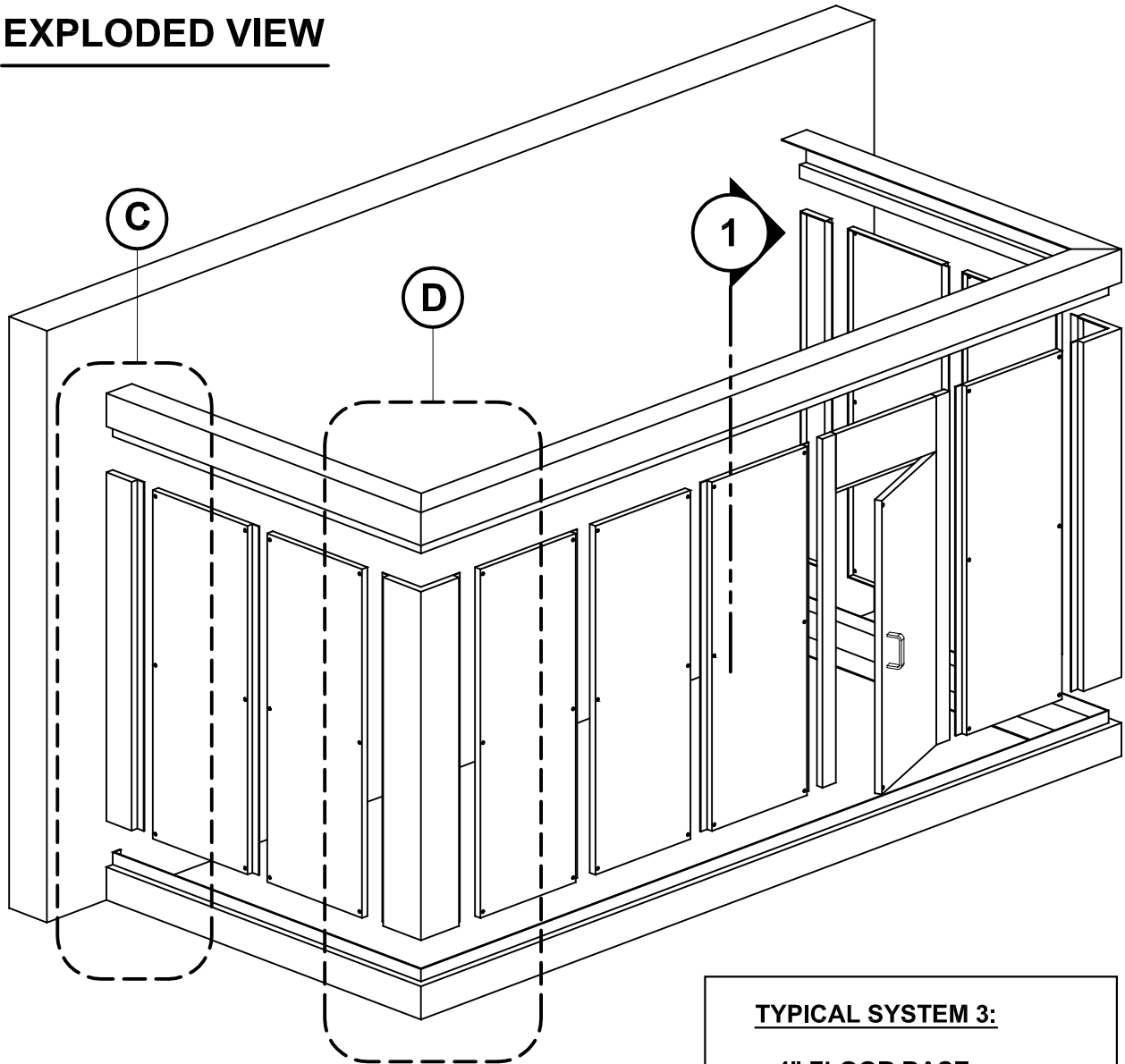


EXPLODED VIEW



STANDARD MATERIAL SPECS:

- TYPE 304 STAINLESS #4 FINISH.
- STAINLESS HIDDEN CLIPS.
- STAINLESS HINGES.
- STAINLESS DOOR HANDLES.
- STAINLESS HARDWARE.
- STAINLESS CHANNELS.

TYPICAL SYSTEM 3:

- 4" FLOOR BASE.
- 4" CEILING HEADER.
- 16" WIDE PANELS.
- HIDDEN PANEL CLIPS.

CUSTOM FEATURES:

- S/S COMPRESSION LOCKS.
- GLASS FRAMED PANELS.
- PASS THROUGH PANELS.
- LIFT OFF PANELS.
- BUMPER RAIL SYSTEMS.

BERLIN

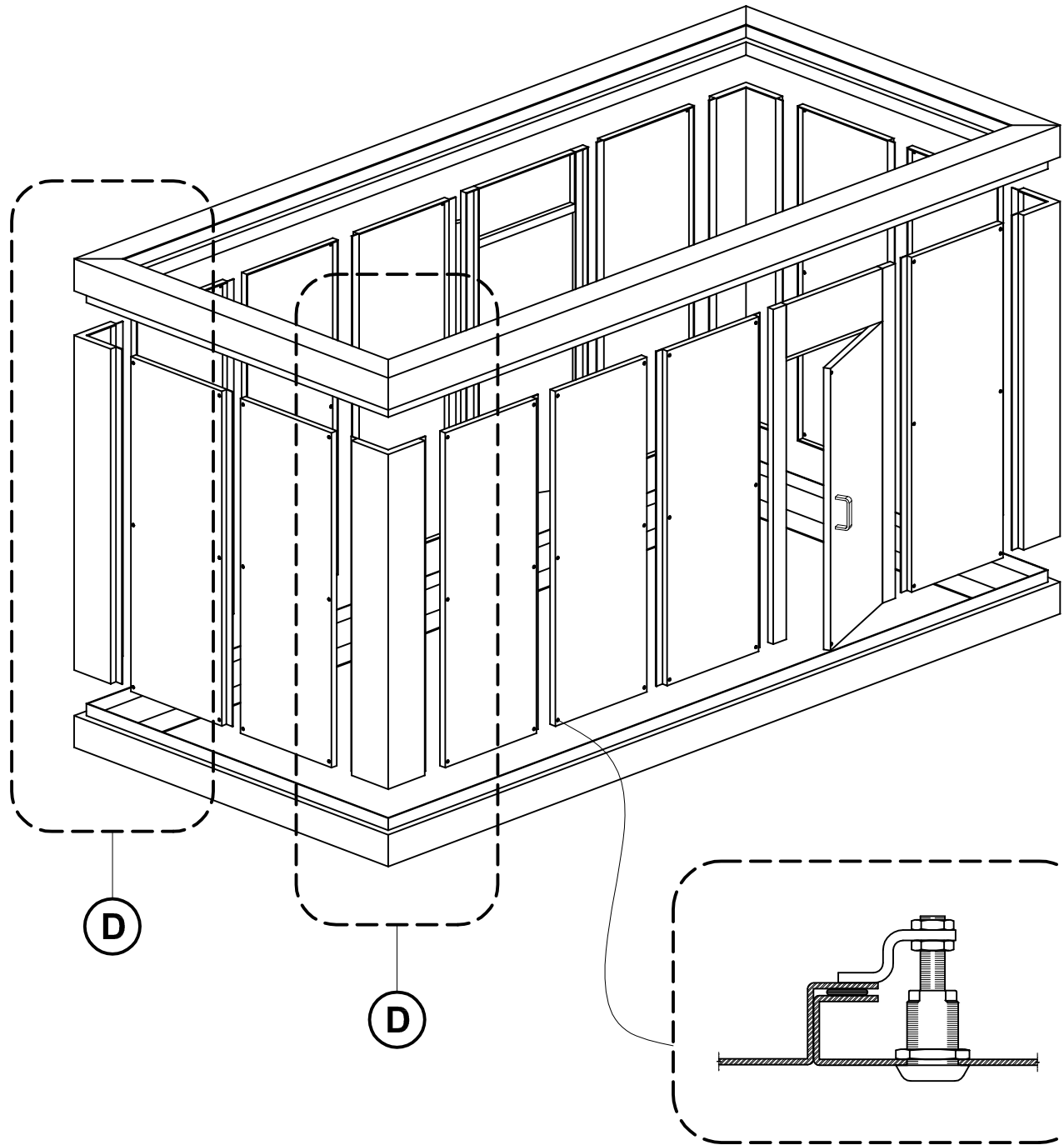
FOOD & LAB EQUIPMENT COMPANY
S.C.L. #341808 (650) 589-4231 www.BerlinUSA.com

Performance Through Stainless!

43 SOUTH LINDEN AVE. SOUTH SAN FRANCISCO, CA 94080

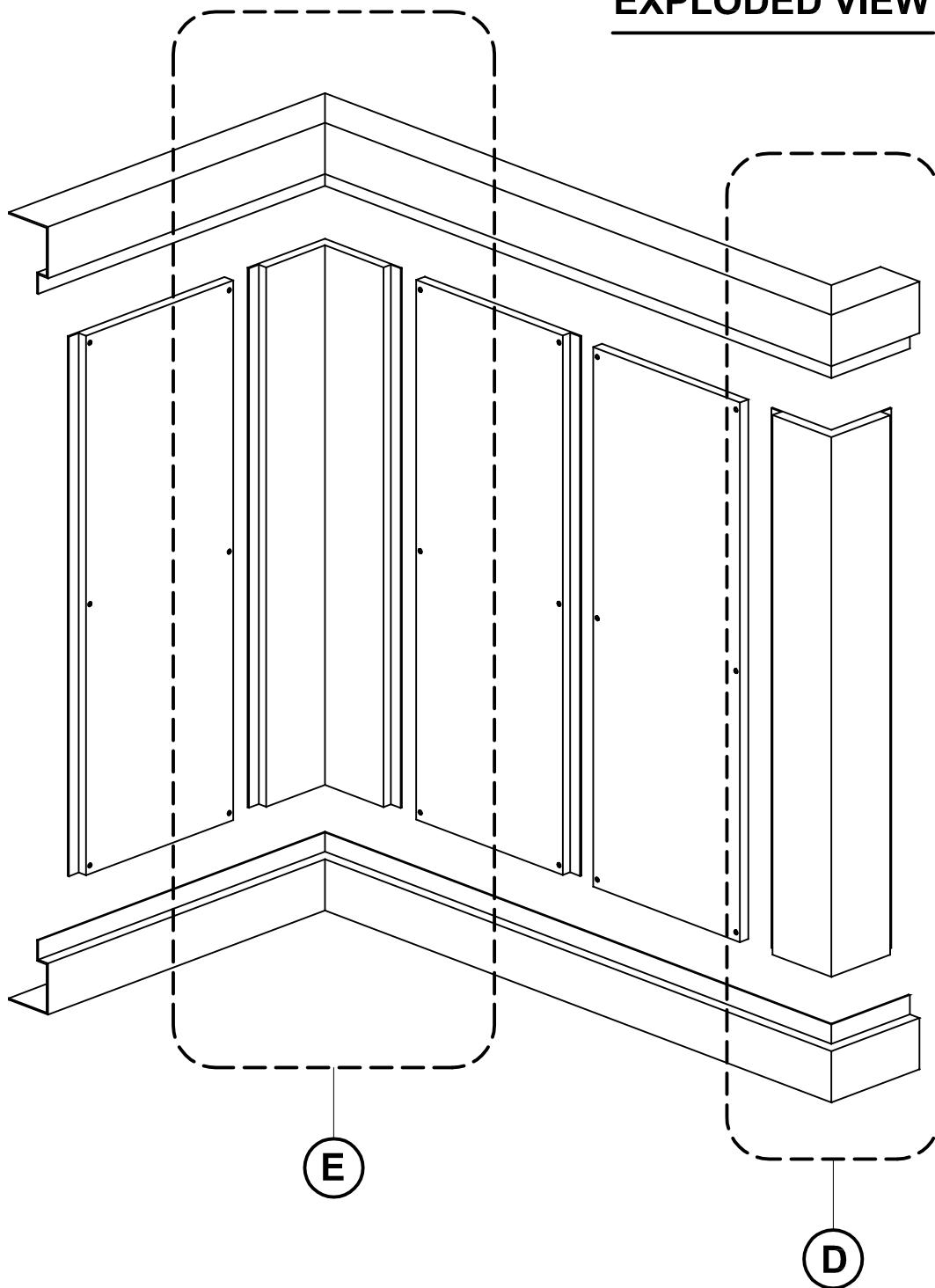
PH (650) 589-4231 FAX (650) 589-3981

EXPLODED VIEW

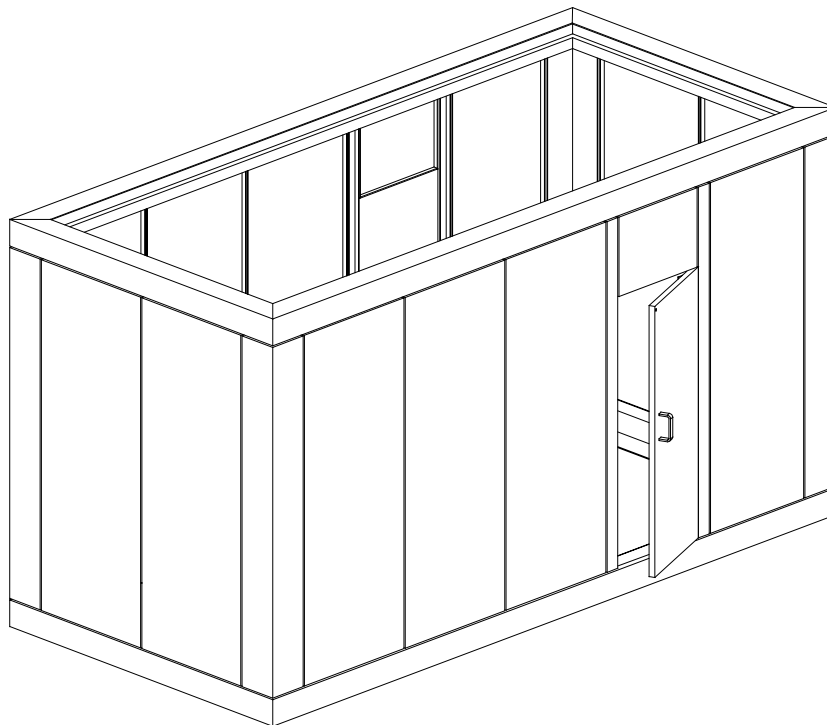
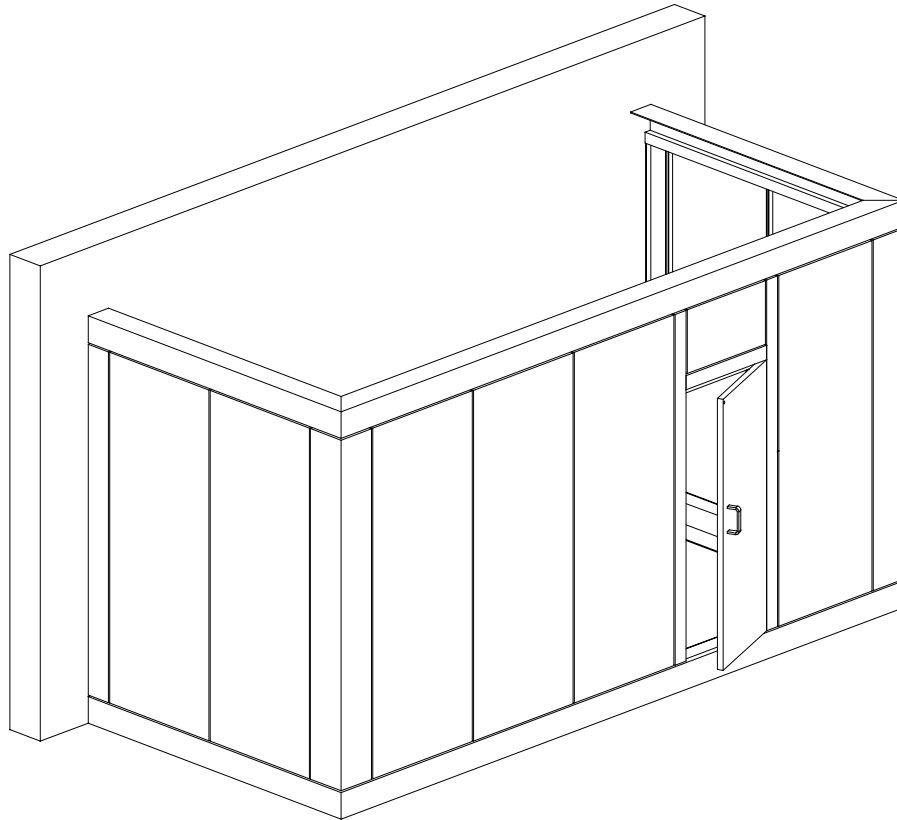


STAINLESS STEEL COMPRESSION LOCK
WITH 6 KEY OPTIONS

EXPLODED VIEW



SYSTEM 3tm. CROSS CONTAMINATION WALL CONSTRUCTION DETAILS AND SPECS

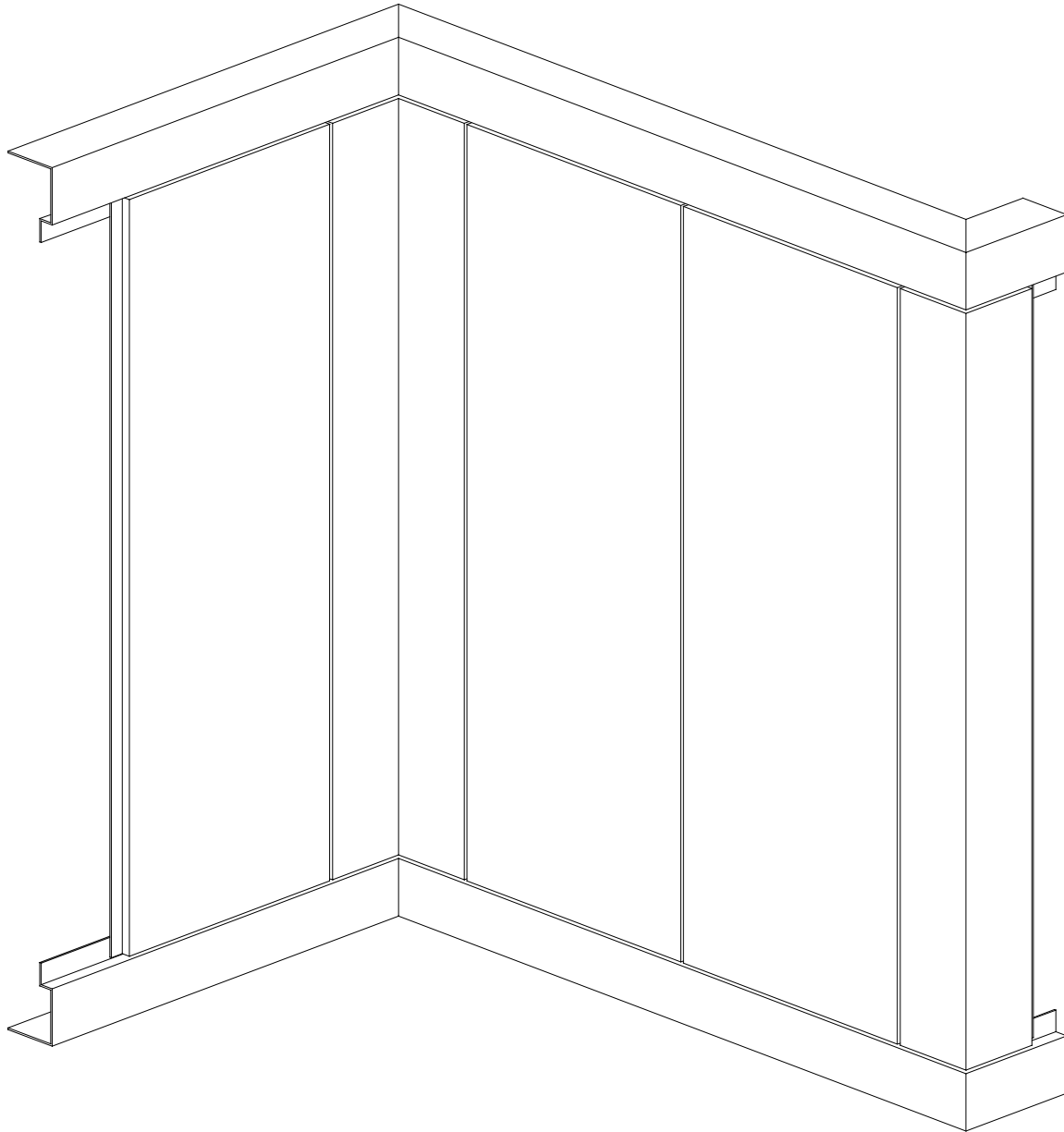


BERLIN
FOOD & LAB EQUIPMENT COMPANY
S.C.L. #341808 (650) 589-4231 www.BerlinUSA.com

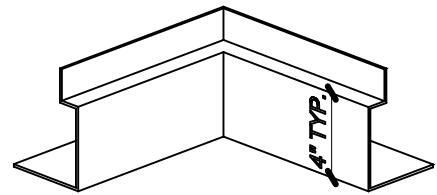
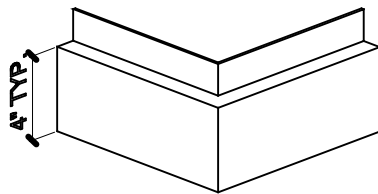
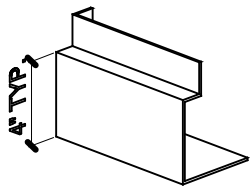
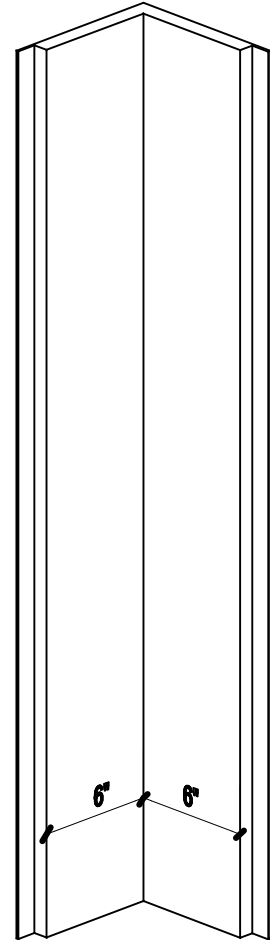
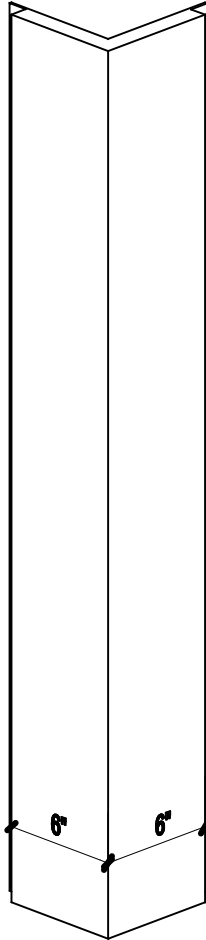
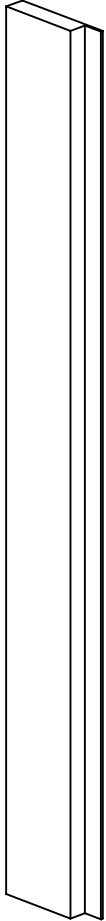
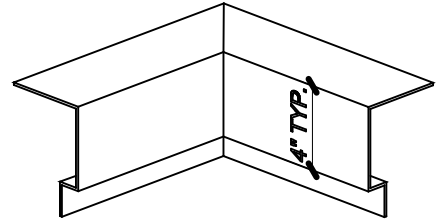
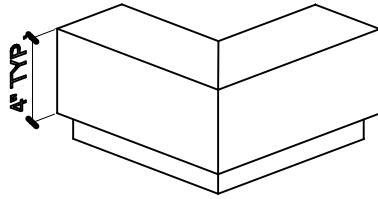
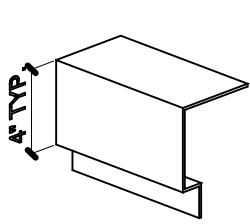
Performance Through Stainless!

43 SOUTH LINDEN AVE. SOUTH SAN FRANCISCO, CA 94080
PH (650) 589-4231 FAX (650) 589-3981

SYSTEM 3tm. CROSS CONTAMINATION WALL CONSTRUCTION DETAILS AND SPECS



SYSTEM 3tm. CROSS CONTAMINATION WALL CONSTRUCTION DETAILS AND SPECS

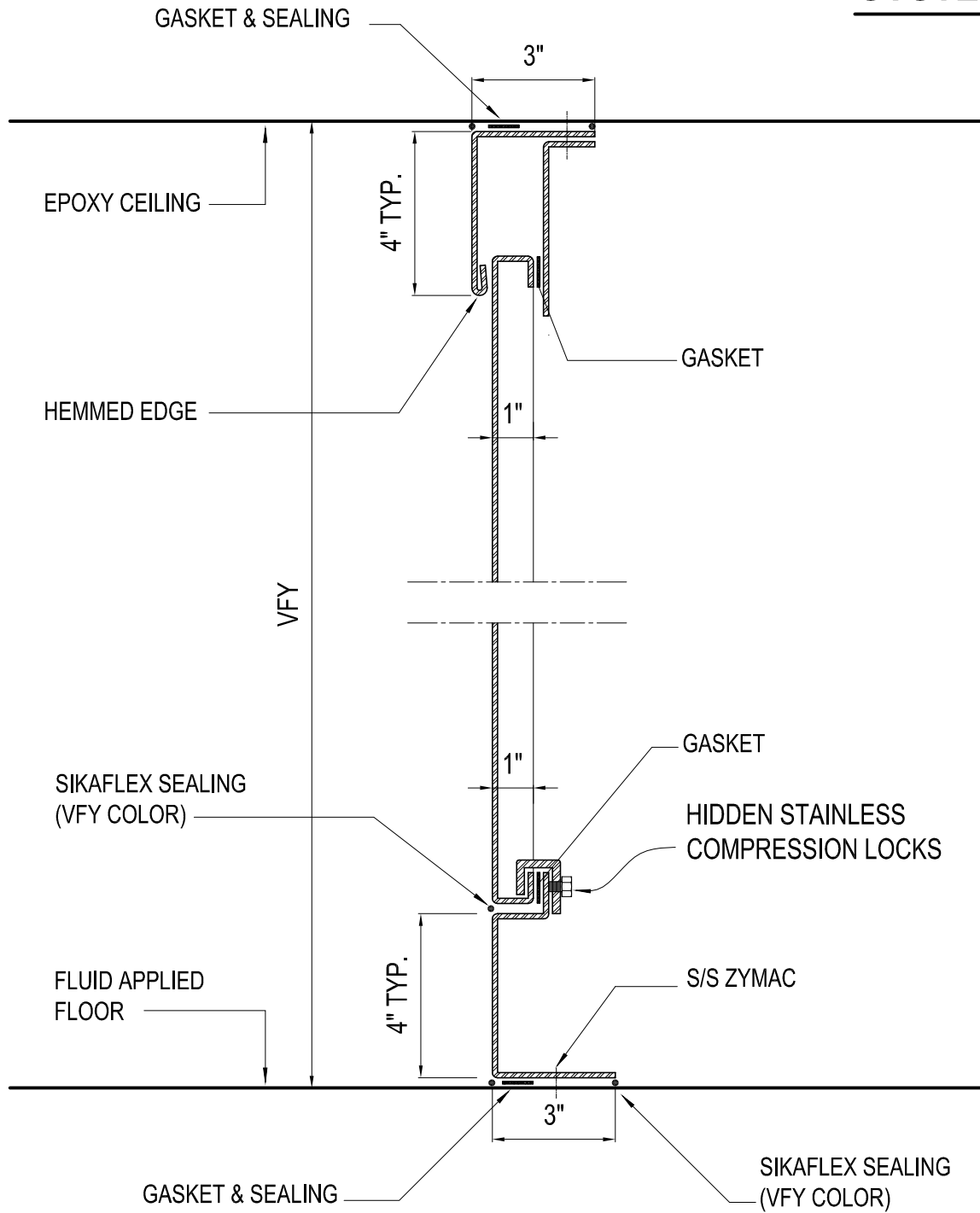


C

D

E

SYSTEM 6



SECTION 1